

Straight Through – Metric External Thread



- Protection Rating: IP68; NEMA 4X
- Pressure Rating: 15Bar; 215psi
- High Pressure Cleaning IP69K
- Seal Rings Factory Installed on Nickel Plated Brass & Stainless Steel Cord Grips; order separately for Polyamide Cord Grips to maintain VDE Approval
- Optional 15mm (.59in.) Long External Thread available; Nickel Plated Brass & Stainless Steel Cord Grips; M12x1.5-M63x1.5
- Order Locknuts Separately See Page 292, 294

blueglobe®

Material Specifications

Body

Insert

Seal Ring

Temperature Range

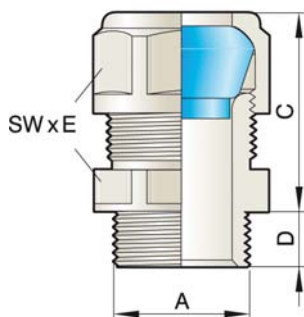
Body

Insert

Seal Ring

Insert Color

Size	Overall Sealing Range min/max		Cable Dia. w/ Inlet min/max		Cable Dia. w/o Inlet min/max		Mtg. Hole Dia.	
	mm	(in.)	mm	(in.)	mm	(in.)	mm	(in.)
M12x1.5	2.0-7.5	(.08-.30)	2.0-5.0	(.08-.20)	5.0-7.5	(.20-.30)	12.0	(.47)
M16x1.5	4.0-11.0	(.16-.43)	4.0-7.0	(.16-.28)	7.0-11.0	(.28-.43)	16.0	(.63)
M20x1.5	5.0-14.0	(.20-.55)	5.0-9.0	(.20-.35)	9.0-14.0	(.35-.55)	20.0	(.79)
M25x1.5	11.0-20.0	(.43-.79)	11.0-16.0	(.43-.63)	16.0-20.0	(.63-.79)	25.0	(.98)
M32x1.5	15.0-25.0	(.59-.98)	15.0-20.0	(.59-.79)	20.0-25.0	(.79-.98)	32.0	(1.26)
M40x1.5	20.0-32.0	(.79-1.26)	20.0-26.0	(.79-1.02)	26.0-32.0	(1.02-1.26)	40.0	(1.57)
M50x1.5	31.0-42.0	(1.22-1.65)	31.0-35.0	(1.22-1.38)	35.0-42.0	(1.38-1.65)	50.0	(1.97)
M63x1.5	41.0-54.0	(1.61-2.13)	41.0-46.0	(1.61-1.81)	46.0-54.0	(1.81-2.13)	63.0	(2.48)
M75x1.5	54.0-65.0	(2.13-2.56)	54.0-58.0	(2.13-2.28)	58.0-65.0	(2.28-2.56)	75.0	(2.95)
M85x2	65.0-77.0	(2.56-3.03)	65.0-70.0	(2.56-2.76)	70.0-77.0	(2.76-3.03)	85.0	(3.35)



Cord Grip Dimensions: mm (in.) Polyamide (PA)

Size	A	D	C	SW	E
M12x1.5	12.0 (.47)	9.0 (.35)	24.0 (.94)	17.0 (.67)	18.9 (.74)
M16x1.5	16.0 (.63)	9.0 (.35)	27.0 (1.06)	20.0 (.79)	22.0 (.87)
M20x1.5	20.0 (.79)	9.0 (.35)	31.0 (1.22)	24.0 (.94)	26.7 (1.05)
M25x1.5	25.0 (.98)	9.0 (.35)	33.0 (1.30)	30.0 (1.18)	33.0 (1.30)
M32x1.5	32.0 (1.26)	11.0 (.43)	34.0 (1.34)	36.0 (1.42)	39.5 (1.56)
M40x1.5	40.0 (1.57)	12.0 (.47)	37.0 (1.46)	45.0 (1.77)	48.0 (1.89)
M50x1.5	50.0 (1.97)	15.0 (.59)	46.0 (1.81)	57.0 (2.24)	61.0 (2.40)
M63x1.5	63.0 (2.48)	15.0 (.59)	49.0 (1.93)	70.0 (2.7)	75.0 (2.95)

**Polyamide (PA)
Light Gray or Black**



**With Thermoplastic Elastomer (TPE)
Spherical Sealing Insert**

Nickel Plated Brass (NPB)



**With Thermoplastic Elastomer (TPE)
Spherical Sealing Insert**

**Stainless Steel (SS)
1.4305 (303)**



**With Thermoplastic Elastomer (TPE)
Spherical Sealing Insert**

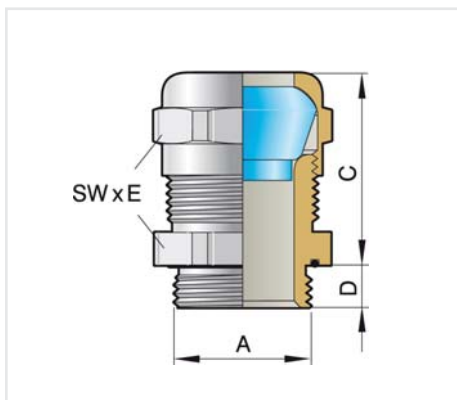
High Performance Cord Grips

Polyamide (PA)*			Nickel Plated Brass (NPB)**		Stainless Steel (SS)**	
Thermoplastic Elastomer (TPE)			Thermoplastic Elastomer (TPE)		Thermoplastic Elastomer (TPE)	
-			Neoprene (NBR)		Silicone (SIL)	
-20 to 100°C (-4 to 212°F)			-40 to 300°C (-40 to 572°F)		-60 to 500°C (-65 to 932°F)	
-40 to 130°C (-40 to 266°F)			-40 to 130°C (-40 to 266°F)		-40 to 130°C (-40 to 266°F)	
-			-20 to 100°C (-4 to 212°F)		-60 to 200°C (-65 to 392°F)	
Blue			Blue		Blue	

Cat. No.		Std.	Cat. No.		Std.	Cat. No.		Std.
L. Gray	Black	Pk.			Pk.			Pk.
96570.0	96570.1	50	96570.6		50	96570.7		50
96571.0	96571.1	50	96571.6		50	96571.7		50
96572.0	96572.1	50	96572.6		50	96572.7		50
96573.0	96573.1	50	96573.6		50	96573.7		50
96574.0	96574.1	25	96574.6		25	96574.7		25
96575.0	96575.1	5	96575.6		10	96575.7		10
96576.0	96576.1	10	96576.6		5	96576.7		5
96577.0	96577.1	5	96577.6		5	96577.7		5
-	-		96578.6		5	96578.7		5
-	-		96579.6		1	96579.7		1

*Polyamide *blueglobe*® VDE Approval only with installed O-Ring; Order Separately

**For Nickel Plated Brass & Stainless Steel Cord Grips with 15mm (.59in.) long External Thread add /15 to the Catalog Number. Example: 96570.6/15



Cord Grip Dimensions: mm (in.) Nickel Plated Brass and Stainless Steel

Size	A	D	C	SW	E
M12x1.5	12.0 (.47)	5.0 (.20)	21.0 (.83)	17.0 (.67)	18.9 (.74)
M16x1.5	16.0 (.63)	6.0 (.24)	25.0 (.98)	20.0 (.79)	22.2 (.87)
M20x1.5	20.0 (.79)	6.5 (.26)	29.0 (1.14)	24.0 (.94)	26.5 (1.04)
M25x1.5	25.0 (.98)	7.5 (.30)	29.0 (1.14)	30.0 (1.18)	33.0 (1.30)
M32x1.5	32.0 (1.26)	8.0 (.31)	32.0 (1.26)	36.0 (1.42)	39.5 (1.56)
M40x1.5	40.0 (1.57)	8.0 (.31)	35.0 (1.38)	45.0 (1.77)	48.0 (1.89)
M50x1.5	50.0 (1.97)	10.0 (.39)	35.0 (1.38)	57.0 (2.24)	61.0 (2.40)
M63x1.5	63.0 (2.48)	10.0 (.39)	38.0 (1.50)	68.0 (2.68)	72.0 (2.83)
M75x1.5	75.0 (2.95)	15.0 (.59)	48.0 (1.89)	81.0 (3.19)	87.0 (3.43)
M85x2	85.0 (3.35)	15.0 (.59)	49.0 (1.93)	95.0 (3.74)	102.0 (4.02)