

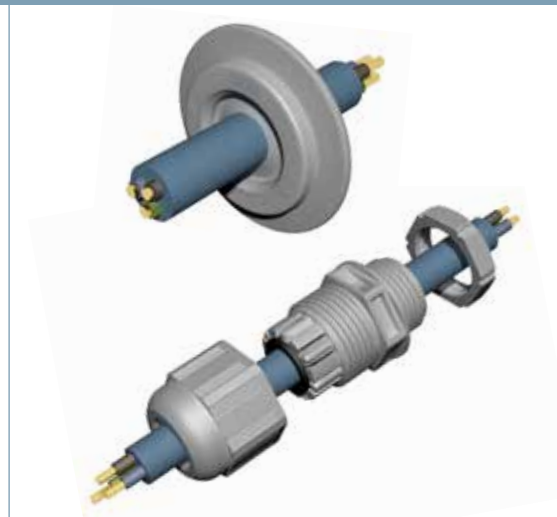


CLIXX – The faster cable gland

The faster alternative

The patented CLIXX concept – consisting of two plastic components in only one product – is the alternative to cable glands.

Thanks to its time savings in assembly and its easy handling in tight spaces, CLIXX offers you significant benefits.

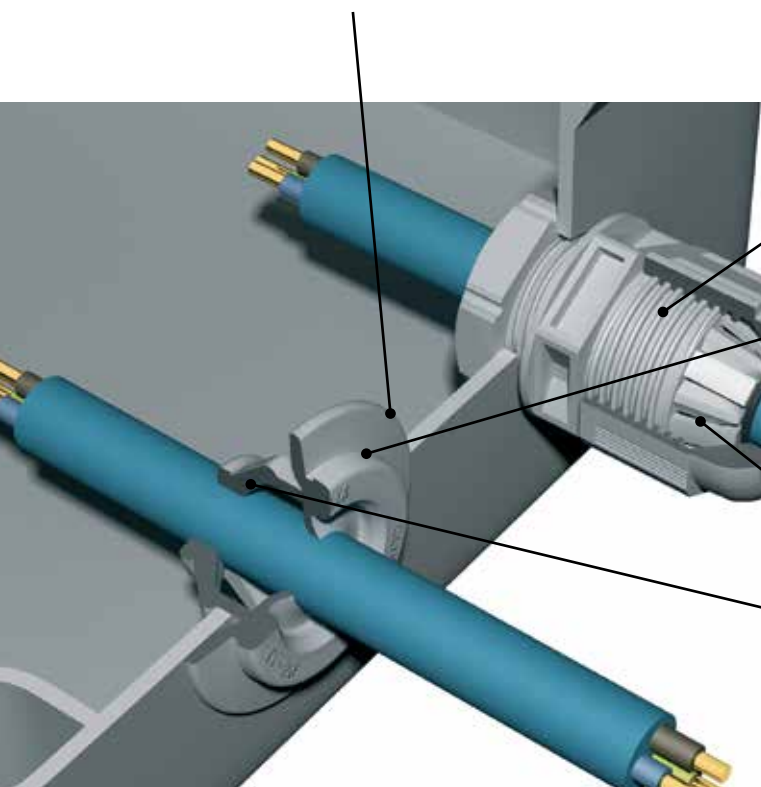


CLIXX Assembly

1. Clip in CLIXX with one action
 2. Insert cable, pull back, finished!
- Time savings up to 75 %**

Cable gland assembly

1. Insert cable gland
2. Fix locknut
3. Insert cable
4. Fix cap nut



Same clamping and sealing ranges

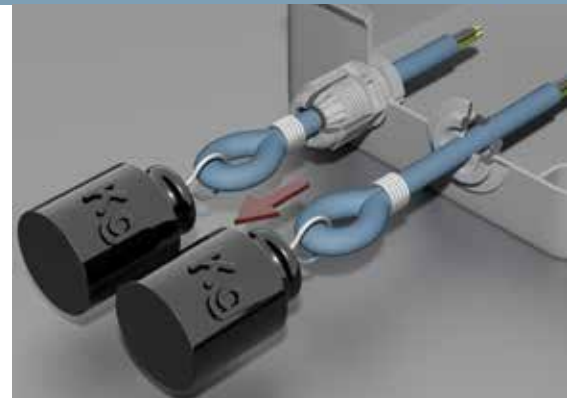
High protection degree

Strain relief to EN 50262

CLIXX – The faster cable gland

Your benefits

- CLIXX replaces your cable gland in standard installations
- 75 % assembly time savings compared to a cable gland: Only one single component to clip in – no tool, no locknut required
- Thanks to its flat construction, CLIXX is particularly space-saving in tight installation spaces



Technical Data

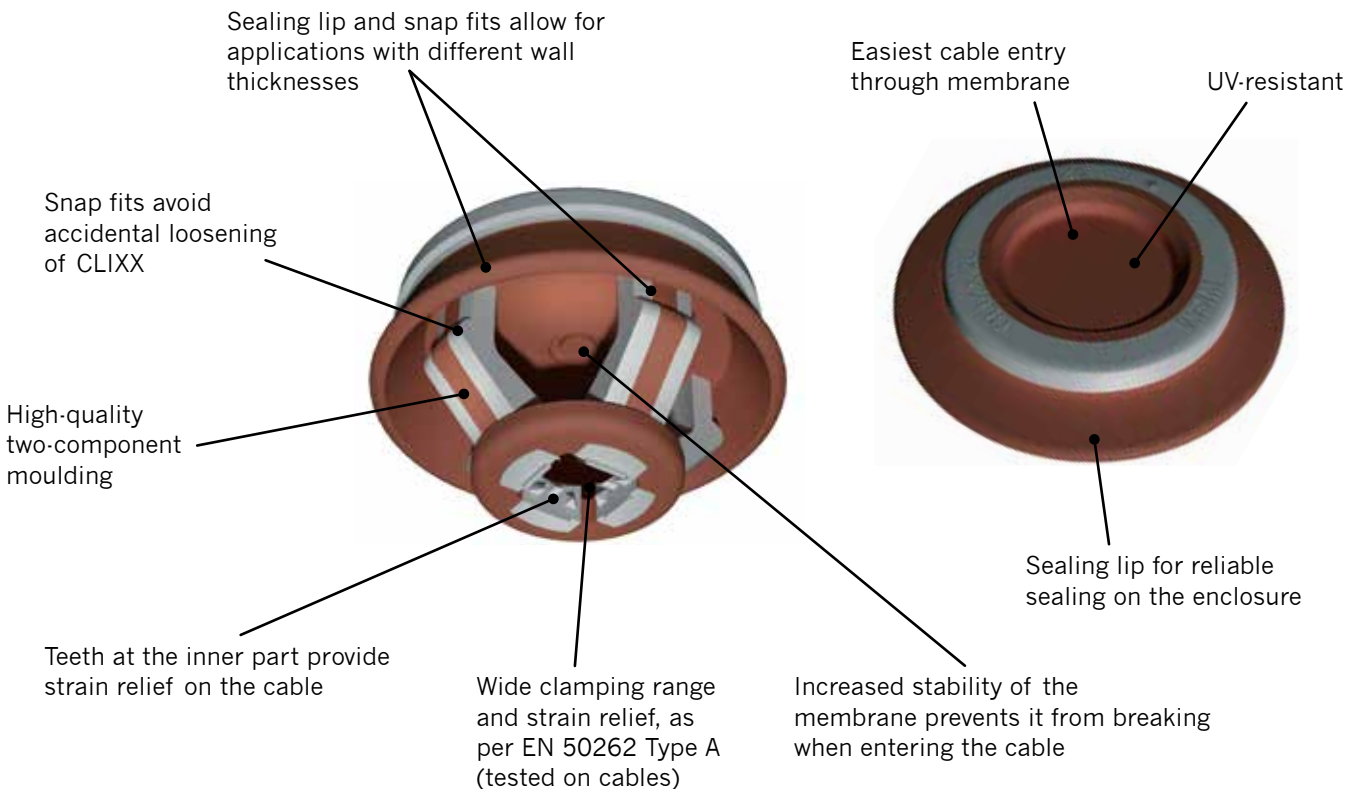
Temperature range: -40° C – 65° C

Protection degree: IP 66 / 67

Colours: RAL 7035 (light grey), RAL 9001 (white), RAL 9005 (black), RAL 3000 (red), further colours on request



Type	Icon 1	Icon 2	Total length mm	Icon 3	Icon 4
CLIXX 16	16	4 · 10	15	16,7	0,8 · 3,5
CLIXX 20	20	6 · 13	15	20,7	0,8 · 3,5
CLIXX 25	25	9 · 17	15	25,7	0,8 · 3,5



WISKA CLIXX 03/2014



WISKA Hoppmann & Mulsow GmbH
 Kisdorfer Weg 28 • 24568 Kaltenkirchen • Germany
 ☎ +49-4191-508-0 • 📠 +49-4191-508-209
 contact@wiska.de • www.wiska.com