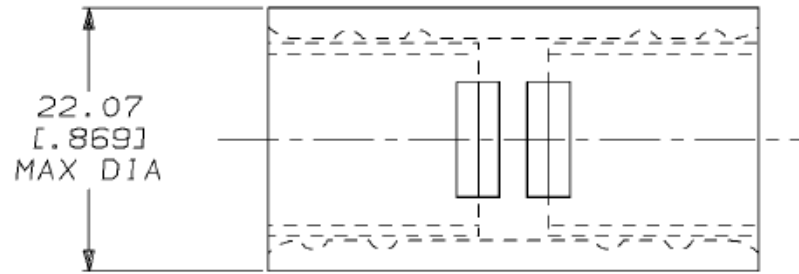


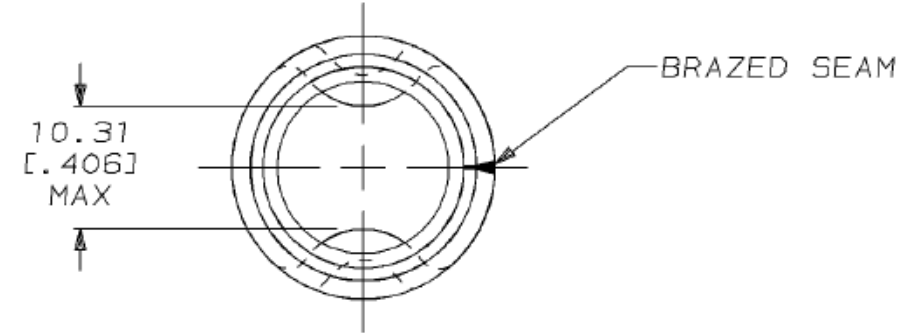
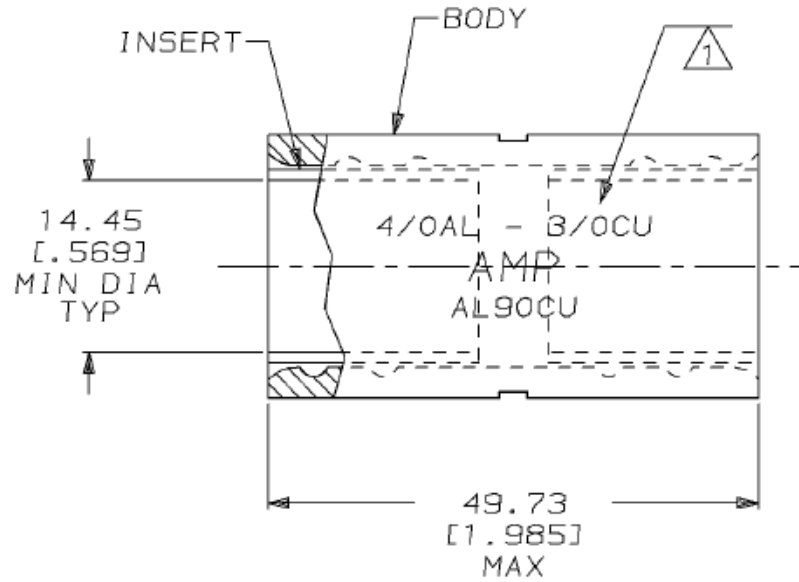
THIS DRAWING IS UNPUBLISHED. RELEASED FOR PUBLICATION , 19 .
 © COPYRIGHT 19 BY AMP INCORPORATED. ALL INTERNATIONAL RIGHTS RESERVED.

LOC	DIST	P	F	ZONE	LTR	DESCRIPTION	DATE	APPD
G	86				G	REVISED PER 0720-0160-94	6/23/94	DKS AJK



METRIC
 DIMENSIONS LISTED IN mm [INCHES]

- ① STAMP CHARACTERS APPROX AS SHOWN
- 2 MATERIAL THK: 2.59±0.05 [.102±.002]



BODY: COPPER 1.83±0.10 [.072±.004] ASTM B-152 TIN PL 0.00254[.000100] MIN THK PER MIL-T-10727	52019
INSERT: BRASS MIL-C-50 TIN PL 0.00762[.000300] MIN EXT THK PER MIL-T-10727	

AMP INCORPORATED CUSTOMER SERVICE SYSTEMS	
FOR ADDITIONAL PRODUCT INFORMATION OR COPIES OF DRAWINGS AND TECHNICAL DOCUMENTS	PRODUCT INFORMATION CENTER 1-800-522-6752
FOR APPLICATION TOOLING INFORMATION	TOOLING ASSISTANCE CENTER 1-800-722-1111
FOR ORDER ENTRY	1-800-526-5142

MAX RECOMMENDED OPERATING TEMPERATURE: 170° MAX
VOLTAGE RATING: NOT APPLICABLE
WIRE CROSS SECTIONAL AREA RANGE: 96.3-117.0mm² [190,000-231,100] CIR MILS SOLID OR STRANDED

DO NOT SCALE PRINT. UNLESS SPECIFIED DIMENSIONS IN mm [INCHES] TOLERANCES ON: 2 PLC DEC ± 0.20(.008) 3 PLC DEC ± - ANGLES ± -	DR 2/5/94 DK SCHRUM CHK 2/7/94 AJ KAUFMAN APPD 2/7/94 RE ROSE APPD 2/7/94 JL MECKELY PRODUCT SPEC - APPLICATION SPEC - WEIGHT -
MATERIAL COPPER PER ASTM B-152 ANNEALED	FINISH TIN PLATE 0.00254[.000100] MIN THK PER MIL-T-10727

AMP AMP Incorporated Harrisburg, PA 17105-3608		
NAME WIRE SPLICE, COPALUM™ - STRANDED/SOLID, WIRE SIZE: 4/0AL-3/0CU		
SIZE B	CAGE CODE 00779	DRAWING NO C-52019
SCALE 2:1		SHEET 1 OF 1