

Stainless Steel Enclosed Motor Disconnect Switch



- UL Type 4X
- Ideal where chemicals are used for cleaning and maintenance such as food processing and breweries
- Mining is another application area
- Stainless Steel (Grade AISI 316)
- Corrosion Resistant
- IP66 Protection Level
- Lockable - Defeatable Handle



All Models are lockable with up to 3 padlocks.

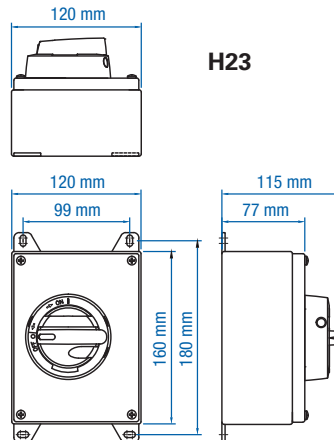
NEW

Catalog Number

	KER316UL		KER325UL		KER340UL	
	KER316UL Y/R		KER325UL Y/R		KER340UL Y/R	
Black Handle						
Yellow/Red Handle						
No. of Poles	3 (4 pole - KER416UL (Y/R))		3 (4 pole - KER425UL (Y/R))		3 (4 pole - KER440UL (Y/R))	
General Purpose Current	16 A		25 A		40 A	
Maximum Voltage	600V AC		600V AC		600V AC	
Motor FLA @ 480V AC	14 A		21 A		27 A	
Motor FLA @ 600V AC	9 A		11 A		17 A	
Horsepower Rating/HP	1 Phase	3 Phase	1 Phase	3 Phase	1 Phase	3 Phase
110-120V AC	1	2	1.5	3	2	3
200V AC	1.5	3	2	5	3	7.5
208V AC	1.5	3	2	5	3	7.5
220-240V AC	2	3	3	5	5	7.5
265V AC	-	5	-	7.5	-	10
277V AC	-	5	-	7.5	-	10
380-415V AC	-	7.5	-	10	-	15
440-480V AC	-	10	-	15	-	20
550-600V AC	-	7.5	-	10	-	15
Short Circuit Withstand Rating at 600 V with Max. Fuse Size/Class:	10 kA		10 kA		10 kA	
K5	30 A		30 A		30 A	
RK5	30 A		30 A		30 A	
RK1	60 A		60 A		60 A	
J	80 A		80 A		80 A	
Terminal Size Acceptability (Cu Conductors only, 75 °C)	14-8 AWG		14-8 AWG		14-8 AWG	
Terminal Torque	16 lb. in. (1.8 Nm)		16 lb. in. (1.8 Nm)		16 lb. in. (1.8 Nm)	
Screw Head Type	No. 2 Pozidrive		No. 2 Pozidrive		No. 2 Pozidrive	
Environmental Rating	UL Type 4X		UL Type 4X		UL Type 4X	
Enclosure Type Used	H23		H23		H23	

Dimensions

(to convert to inches multiply by 0.03937)



Enclosure Cover Screw Installation (Additional Information)		
Enclosure	Screw Type	Torque
H23	Pz2	17.7 lb. in. (2 Nm)
H32	Pz2	17.7 lb. in. (2 Nm)

Weight	1.35 kg (2.98 lb.)	1.35 kg (2.98 lb.)	1.35 kg (2.98 lb.)
---------------	--------------------	--------------------	--------------------

Suitable Accessories

Auxiliary Contacts	KU1.V, KU2.V	KU1.V, KU2.V	KU1.V, KU2.V
---------------------------	--------------	--------------	--------------

Stainless Steel Enclosed Motor Disconnect Switch



- UL Type 4X
- Ideal where chemicals are used for cleaning and maintenance such as food processing and breweries
- Mining is another application area
- Stainless Steel (Grade AISI 316)
- Corrosion Resistant
- IP66 Protection Level
- Lockable - Defeatable Handle



All Models are lockable with up to 3 padlocks.

Catalog Number

	KER360UL	KER380CUL	KER380UL	KER3100UL	KER3125UL
Black Handle	KER360UL	KER380CUL	KER380UL	KER3100UL	KER3125UL
Yellow/Red Handle	KER360UL Y/R	KER380CUL Y/R	KER380UL Y/R	KER3100UL Y/R	KER3125UL Y/R
No. of Poles	3 (4 pole - KER460UL (Y/R))	3 (4 pole - KER480CUL (Y/R))	3 (4 pole - KER480UL (Y/R))	3 (4 pole - KER4100UL (Y/R))	3 (4 pole - KER4125UL (Y/R))
General Purpose Current	60 A	80 A	80 A	100 A	125 A
Maximum Voltage	600V AC	600V AC	600V AC	600V AC	600V AC
Motor FLA @ 480V AC	34 A	40 A	—	—	—
Motor FLA @ 600V AC	27 A	32 A	47 A	54 A	68 A

Horsepower Rating/HP	1 Phase		3 Phase		1 Phase		3 Phase		1 Phase		3 Phase	
	1	2	1	2	1	2	1	2	1	2	1	2
110-120V AC	3	5	5	7.5	3	7.5	3	7.5	5	10	10	20
200V AC	5	10	7.5	10	7.5	10	7.5	15	10	20	25	30
208V AC	5	10	7.5	10	7.5	15	7.5	15	10	15	20	25
220-240V AC	7.5	10	10	15	7.5	15	10	20	15	20	25	30
265V AC	—	10	—	15	10	20	10	20	15	20	25	30
277V AC	—	10	—	15	10	20	10	20	15	20	25	30
380-415V AC	—	20	—	25	15	25	15	30	20	30	40	50
440-480V AC	—	25	—	30	20	30	20	40	30	40	50	60
550-600V AC	—	25	—	30	25	40	30	50	30	40	50	60

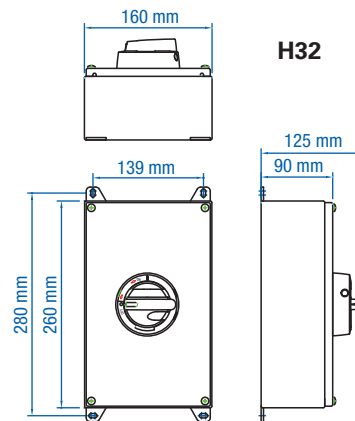
Short Circuit Withstand Rating at 600 V with Max. Fuse Size/Class:	KER360UL	KER380CUL	KER380UL	KER3100UL	KER3125UL
	10 kA	10 kA	10 kA	10 kA	10 kA
K5	30 A	30 A	150 A	150 A	150 A
RK5	30 A	30 A	150 A	150 A	150 A
RK1	60 A	60 A	—	—	—
J	100 A	100 A	200 A	200 A	200 A

Terminal Size

Acceptability	KER360UL	KER380CUL	KER380UL	KER3100UL	KER3125UL
(Cu Conductors only, 75 °C)	12-4 AWG	12-4 AWG	8-1/0 AWG	8-1/0 AWG	8-1/0 AWG
Terminal Torque	16 lb. in. (1.8 Nm)	16 lb. in. (1.8 Nm)	50 lb. in. (5.6 Nm)	50 lb. in. (5.6 Nm)	50 lb. in. (5.6 Nm)
Screw Head Type	UL Type 4X	UL Type 4X	5 mm Allen Key	5 mm Allen Key	5 mm Allen Key
Environmental Rating	No. 2 Pozidrive	No. 2 Pozidrive	UL Type 4X	UL Type 4X	UL Type 4X
Enclosure Type Used	H32	H32	H32	H32	H32

Dimensions

(to convert to inches multiply by 0.03937)



Weight	KER360UL	KER380CUL	KER380UL	KER3100UL	KER3125UL
	1.35 kg (2.98 lb.)	2.66 kg (5.87 lb.)	2.66 kg (5.87 lb.)	2.66 kg (5.87 lb.)	2.66 kg (5.87 lb.)

Suitable Accessories

Auxiliary Contacts	KER360UL	KER380CUL	KER380UL	KER3100UL	KER3125UL
	KU1.V, KU2.V	KU1.V, KU2.V	VKA1.V, VKA2.V	VKA1.V, VKA2.V	VKA1.V, VKA2.V