

Sheet Metal Enclosed Motor Disconnect Switch



- UL Type 4
- Excellent in harsh weather conditions
- Resistant to many chemicals
- Corrosion and UV resistant
- IP65 Protection Level
- Lockable - Defeatable Handle



NEW

All Models are lockable with up to 3 padlocks.



NEW

Catalog Number

	KET316UL	KET325UL	KET340UL	KET360UL	KET380CUL
Black Handle	KET316UL	KET325UL	KET340UL	KET360UL	KET380CUL
Yellow/Red Handle	KET316UL Y/R	KET325UL Y/R	KET340UL Y/R	KET360UL Y/R	KET380CUL Y/R
No. of Poles	3 (4 pole - KET416UL (Y/R))	3 (4 pole - KET425UL (Y/R))	3 (4 pole - KET440UL (Y/R))	3 (4 pole - KET460UL (Y/R))	3 (4 pole - KET480CUL (Y/R))
General Purpose Current	16 A	25 A	40 A	60 A	80 A
Maximum Voltage	600V AC	600V AC	600V AC	600V AC	600V AC
Motor FLA @ 480V AC	14 A	21 A	27A	34A	40 A
Motor FLA @ 600V AC	9A	11A	17A	27A	32A

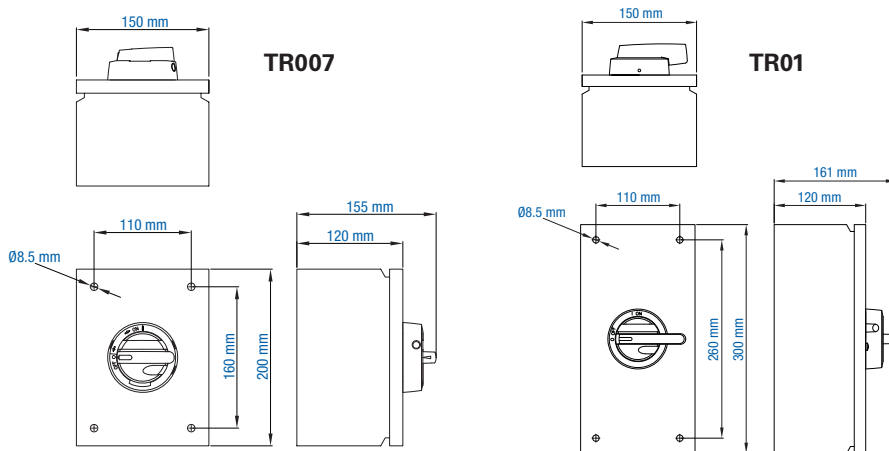
Horsepower Rating/HP	1 Phase		3 Phase		1 Phase		3 Phase		1 Phase		3 Phase	
	1	2	1.5	3	2	3	3	5	5	7.5	7.5	10
110-120V AC	1	2	1.5	3	2	3	3	5	5	7.5	7.5	10
200V AC	1.5	3	2	5	3	7.5	5	10	7.5	10	15	15
208V AC	1.5	3	2	5	3	7.5	5	10	7.5	10	15	15
220-240V AC	2	3	3	5	5	7.5	7.5	10	10	15	15	15
265V AC	-	5	-	7.5	-	10	-	10	-	15	15	15
277V AC	-	5	-	7.5	-	10	-	10	-	15	15	15
380-415V AC	-	7.5	-	10	-	15	-	20	-	25	25	25
440-480V AC	-	10	-	15	-	20	-	25	-	30	30	30
550-600V AC	-	7.5	-	10	-	15	-	25	-	30	30	30

Short Circuit Withstand Rating at 600 V with Max. Fuse Size/Class:	10 kA		10 kA		10 kA		10 kA		10 kA	
K5	30 A	30 A	30 A	30 A	30 A	30 A	30 A	30 A	30 A	30 A
RK5	30 A	30 A	30 A	30 A	30 A	30 A	30 A	30 A	30 A	30 A
RK1	60 A	60 A	60 A	60 A	60 A	60 A	60 A	60 A	60 A	60 A
J	80 A	80 A	80 A	80 A	80 A	80 A	100 A	100 A	100 A	100 A

Terminal Size Acceptability (Cu Conductors only, 75 °C)	14-8 AWG	14-8 AWG	14-8 AWG	12-4 AWG	12-4 AWG
Terminal Torque	16 lb. in. (1.8 Nm)	16 lb. in. (1.8 Nm)	16 lb. in. (1.8 Nm)	16 lb. in. (1.8 Nm)	16 lb. in. (1.8 Nm)
Screw Head Type	No. 2 Pozidrive	No. 2 Pozidrive	No. 2 Pozidrive	No. 2 Pozidrive	No. 2 Pozidrive
Environmental Rating	UL Type 4	UL Type 4	UL Type 4	UL Type 4	UL Type 4
Enclosure Type Used	TR007	TR007	TR007	TR01	TR01

Dimensions

(to convert to inches multiply by 0.03937)



Enclosure Cover Screw Installation (Additional Information)		
Enclosure	Screw Type	Torque
TR007	PH2	10.6 lb. in. (1.2 Nm)
TR01	PH2	10.6 lb. in. (1.2 Nm)
TR02	Key lock	

Weight	2.1 kg (4.63 lb.)	2.1 kg (4.63 lb.)	2.1 kg (4.63 lb.)	4.0 kg (8.82 lb.)	4.3 kg (9.48 lb.)
--------	-------------------	-------------------	-------------------	-------------------	-------------------

Suitable Accessories

Auxiliary Contacts	KU1.V, KU2.V	KU1.V, KU2.V	KU1.V, KU2.V	KU1.V, KU2.V	VKA1.V, VKA2.V
--------------------	--------------	--------------	--------------	--------------	----------------

Sheet Metal Enclosed Motor Disconnect Switch



- UL Type 4
- Excellent in harsh weather conditions
- Resistant to many chemicals
- Corrosion and UV resistant
- IP65 Protection Level
- Lockable - Defeatable Handle



All Models are lockable with up to 3 padlocks.



Catalog Number

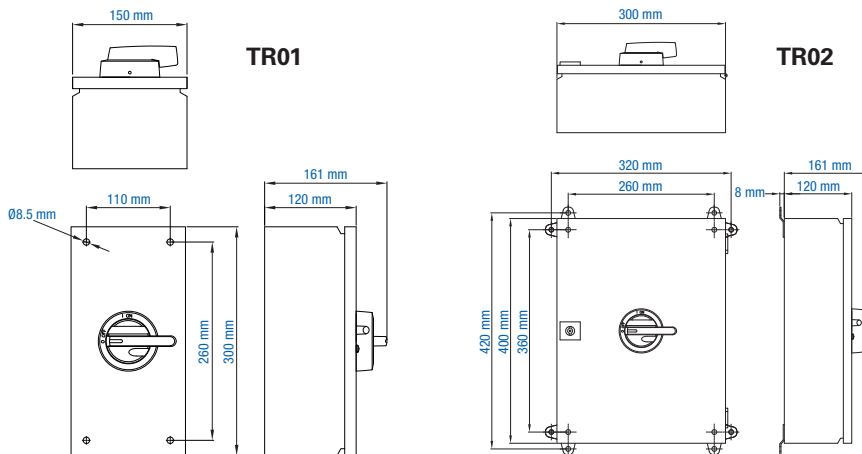
	KET380UL	KET3100UL	KET3125UL	KET3150UL
Black Handle	KET380UL	KET3100UL	KET3125UL	KET3150UL
Yellow/Red Handle	KET380UL Y/R	KET3100UL Y/R	KET3125UL Y/R	KET3150UL Y/R
No. of Poles	3 (4 pole - KET480UL (Y/R))	3 (4 pole - KET4100UL (Y/R))	3 (4 pole - KET4125UL (Y/R))	3 (4 pole - KET4315UL (Y/R))
General Purpose Current	80 A	100 A	125 A	125 A
Maximum Voltage	600V AC	600V AC	600V AC	600V AC
Motor FLA @ 480V AC	—	—	—	—
Motor FLA @ 600V AC	47 A	54 A	68 A	68 A

Horsepower Rating/HP	1 Phase		3 Phase		1 Phase		3 Phase	
110-120V AC	3	7.5	3	7.5	5	10	5	10
200V AC	7.5	10	7.5	15	10	20	10	20
208V AC	7.5	15	7.5	15	10	20	10	20
220-240V AC	7.5	15	10	20	15	25	15	25
265V AC	10	20	10	20	15	25	15	25
277V AC	10	20	10	20	15	30	15	30
380-415V AC	15	25	15	30	20	40	20	40
440-480V AC	20	30	20	40	30	50	30	50
550-600V AC	25	40	30	50	30	60	30	60

Short Circuit Withstand Rating at 600 V with Max. Fuse Size/Class:	10 kA		10 kA		10 kA		10 kA	
K5	150 A	150 A	150 A	150 A	150 A	150 A	150 A	150 A
RK5	150 A	150 A	150 A	150 A	150 A	150 A	150 A	150 A
RK1	—	—	—	—	—	—	—	—
J	200 A	200 A	200 A	200 A	200 A	200 A	200 A	200 A

Terminal Size	8-1/0 AWG		8-1/0 AWG		8-1/0 AWG		8-1/0 AWG	
Acceptability (Cu Conductors only, 75 °C)	8-1/0 AWG	8-1/0 AWG	8-1/0 AWG	8-1/0 AWG	8-1/0 AWG	8-1/0 AWG	8-1/0 AWG	8-1/0 AWG
Terminal Torque	50 lb. in. (5.6 Nm)	50 lb. in. (5.6 Nm)	50 lb. in. (5.6 Nm)	50 lb. in. (5.6 Nm)	50 lb. in. (5.6 Nm)	50 lb. in. (5.6 Nm)	50 lb. in. (5.6 Nm)	50 lb. in. (5.6 Nm)
Screw Head Type	5 mm Allen Key	5 mm Allen Key	5 mm Allen Key	5 mm Allen Key	5 mm Allen Key	5 mm Allen Key	5 mm Allen Key	5 mm Allen Key
Environmental Rating	UL Type 4	UL Type 4	UL Type 4	UL Type 4	UL Type 4	UL Type 4	UL Type 4	UL Type 4
Enclosure Type Used	TR01	TR01	TR01	TR01	TR01	TR01	TR02	TR02

Dimensions



Weight	4.3 kg (9.48 lb.)	4.3 kg (9.48 lb.)	4.3 kg (9.48 lb.)	9.7 kg (21.39 lb.)
--------	-------------------	-------------------	-------------------	--------------------

Suitable Accessories

Auxiliary Contacts	VKA1.V, VKA2.V	VKA1.V, VKA2.V	VKA1.V, VKA2.V	VKA1.V, VKA2.V
--------------------	----------------	----------------	----------------	----------------