



Patent Pending

Photovoltaic Fuse Holder Designed for Bus Bar Termination

Marathon Special Products' **PV10BW** series is uniquely designed with terminals to accept standard stock bus bar eliminating the need for custom fabricated comb bus bars.

SPECIFICATIONS

- 1000V DC
- Up to 30 amps
- UL recognized (UL4248-18)
- IEC compliant (Q2 2014)

FEATURES

- Bus bar terminal clamp (patent pending)
- Bare wire terminal for use with 90°C wire
- Integrated cover options
- 94 V-2 flammability rating
- 130°C (266°F) UL RTI
- Indicator option available (red)
- Gangable for multi-string configurations
- Custom marking options

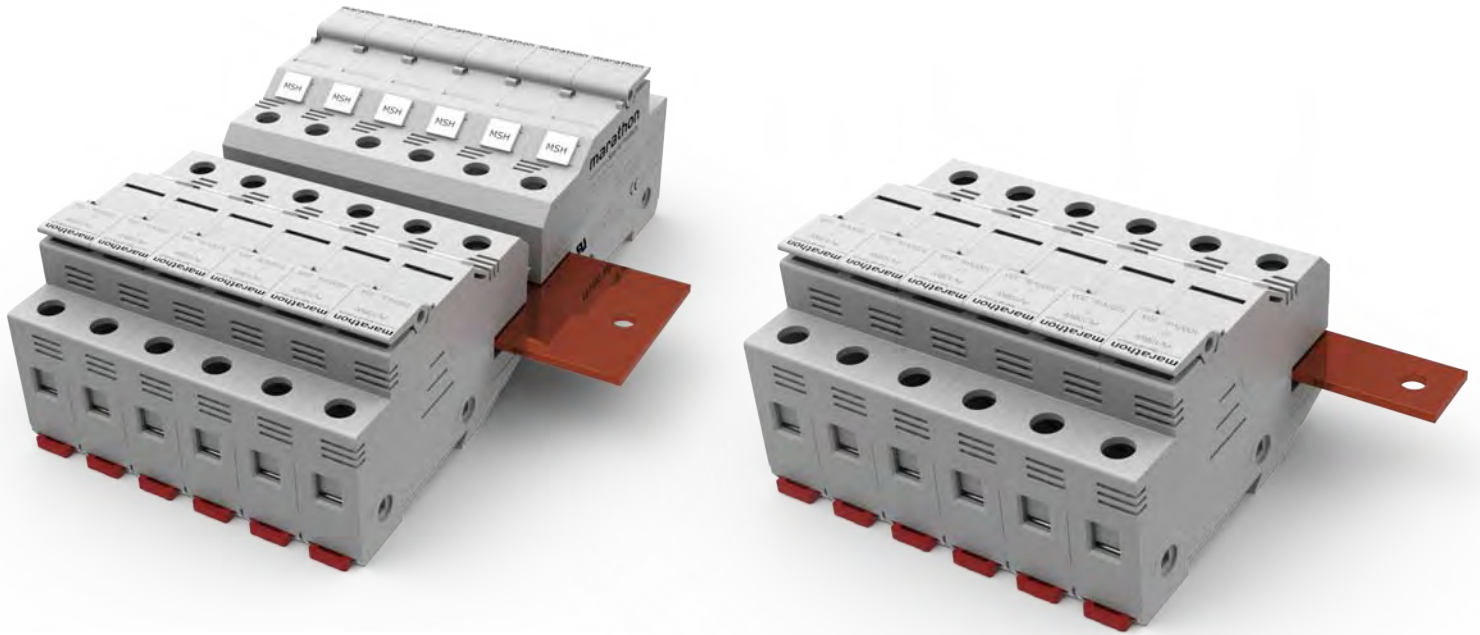
BENEFITS

Designed to:

- Improve performance
- Reduce material
- Reduce labor

Simplified Design for Bus Bar Termination

- Eliminates the need for fabricated comb bus bars.
- Easily position, align and move the fuse holder as needed.
- Bus bar terminal encompasses the bar providing additional touch protection.
- Terminal includes an integrated spring plate to ensure clamping force is maintained.



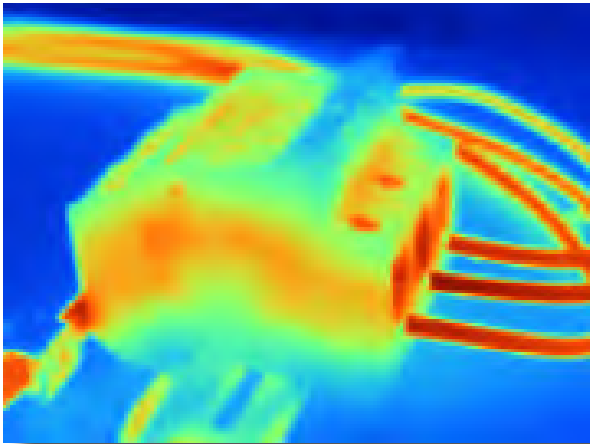
Leave the Comb at Home!



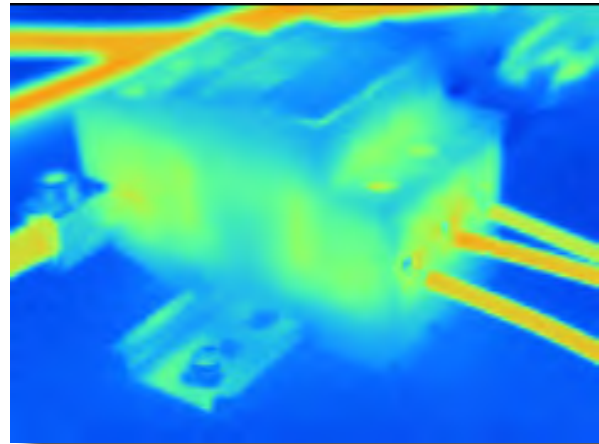
Temperature Reduction

- Marathon Special Products' PV10BW series has shown a 16% reduction in temperature over competitive models in high ambient testing.
- The images below show the difference between the heat generated in standard industrial fuse holders and MSP's photovoltaic fuse holder. Under identical conditions, MSP's clearly runs cooler!

Standard Terminal



MSP Bus Bar Terminal Clamp

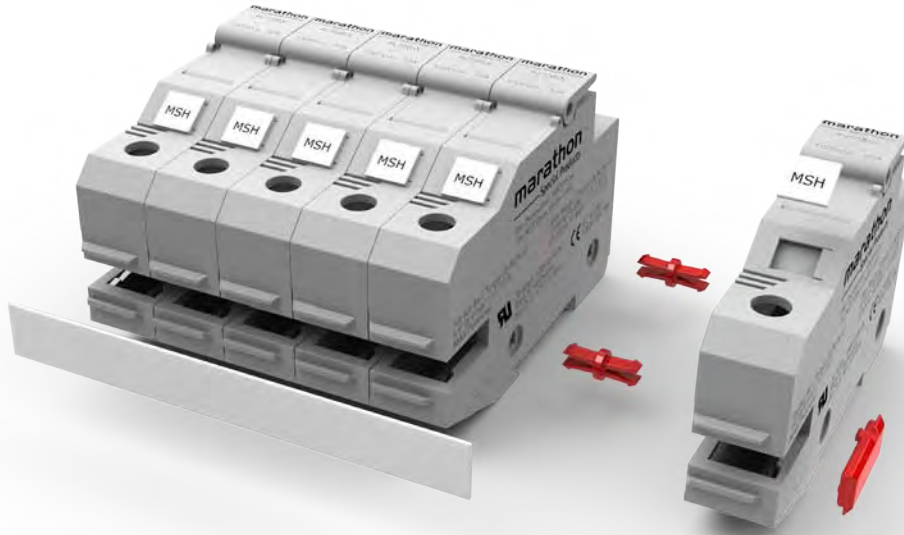


Cost Reduced Combiner Boxes

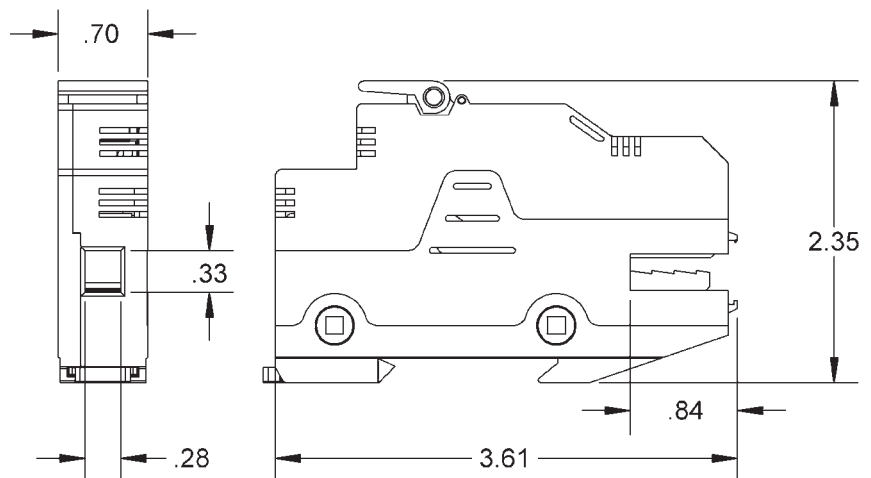
- Save up to 60% of the copper stock purchased by using standard stock bar.
- Saves engineering time designing around the "comb".
- Simplify assembly time by eliminating the alignment of terminals to comb stabs.



Part & Accessory Ordering Information:



Catalog #	Description
PV10BW	Fuse Holder - midget (10 x 38mm) PV fuses
PV10BWI	Fuse Holder with (red) blown fuse indicator - for PV fuse sized 10x38mm
MSH10	Marker Card - single white, snap-in labels 10mm wide for individual identification
EFH-MCCK C	Ganging Clips - used to group multiple fuse holders together as an assembly
MS 2	Front Cover - white 2' long strip to be cut to length and cover a set of holders
ECPVFH	End Cap - covers the end opening(s) of the bus bar terminal
MN35-2	Din Rail - 35 x 7.5 x 200mm long, slotted
MSK35	End Bracket - for anchoring in place on din rail



marathon™
Special Products

427 Van Camp Road
Bowling Green, Ohio 43402
PH: 419-352-8441
FAX: 419-352-0875

www.marathonsp.com

A Regal Brand



www.regalbeloit.com