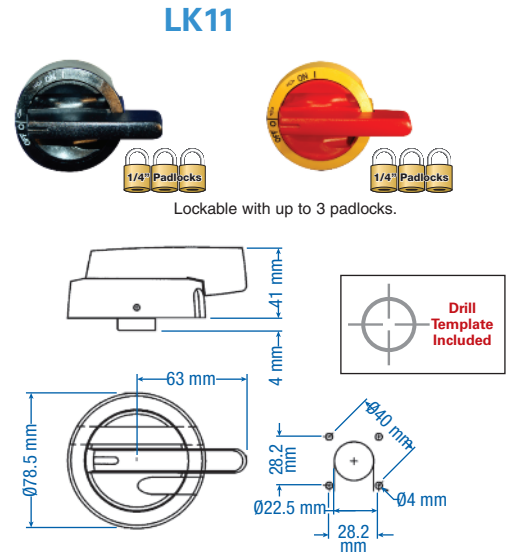
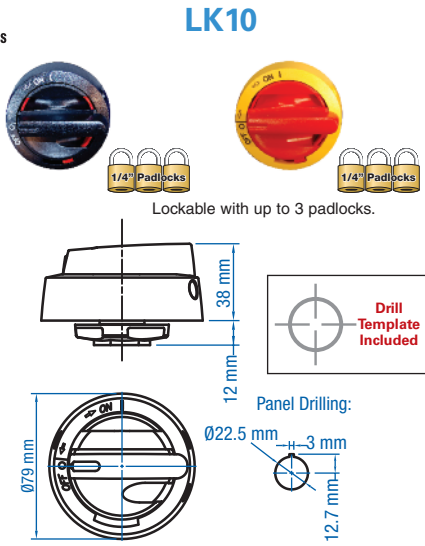


**Extended Handle Accessories**  

**DOOR INTERLOCK HANDLES**  
(padlockable with up to three 1/4" padlocks)

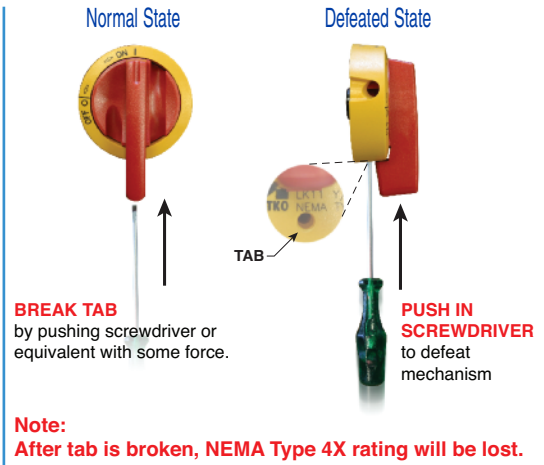
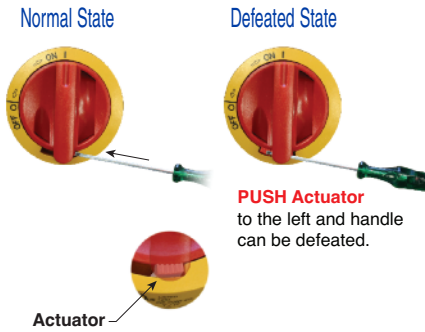
- LK10 (Y/R) UL:**
- Single hole mounting (22.5 mm)
- LK11 (Y/R) U:**
- Retention mechanism (only rotates 90° from off to on, keeps handle in off position while cabinet door is open)




Cat. No.	LK10 UL	LK10 Y/R UL	LK11 U	LK11 Y/R U
<b>Environmental Rating (UL) (IEC)</b>	UL Type 4X IP66	UL Type 4X IP66	UL Type 4X IP67	UL Type 4X IP67
<b>Color</b>	Black	Yellow/Red	Black	Yellow/Red

**DEFEATABLE MECHANISM - OPERATING INSTRUCTIONS**

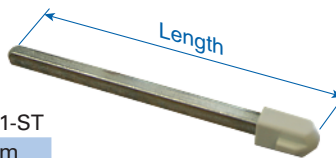
The defearer mechanism allows a screwdriver to be inserted to release the lock and open the door with the mechanism in the ON position.



 **Warning: The defearer mechanism should only be used by a trained professional.**

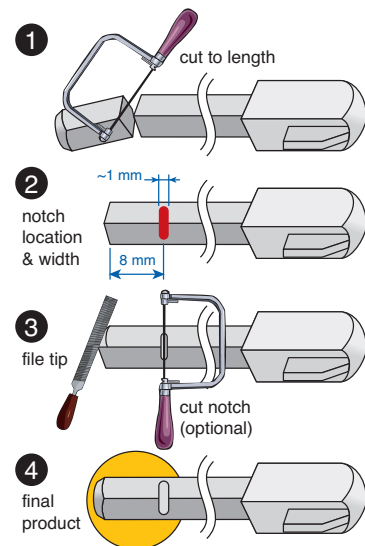
**DOOR INTERLOCK SHAFT**

The steel shaft ensures reliable operation even in the toughest conditions.



Cat. No.	L100 AD11-ST	L200 AD11-ST	L300AD11-ST
<b>Length (L)</b>	100 mm	200 mm	300 mm
<b>Material</b>	Steel	Steel	Steel

**SHAFT CUTTING RECOMMENDATIONS**



**SHAFT LENGTH CUTTING GUIDELINE**

