

Altech Corp.®

GF Series (up to 63A) 480Y/277V AC Ground Fault Sensing and Relaying Device (RCCB)

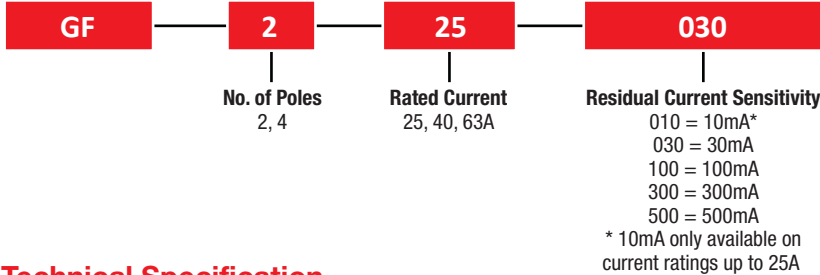
The GF Series of Equipment Ground Fault Protection Relays (Earth Leakage Protection) is the latest addition to Altech's UL Listed product range, providing ground fault (residual current) protection for circuits with loads up to 63A. Short Circuit Withstand rating is 10kA.



Ground Fault Sensing
& Relaying Equipment
E483493

UL 1053
Ground Fault Sensing
and Relaying Device

GF Series RCCB Ordering Scheme

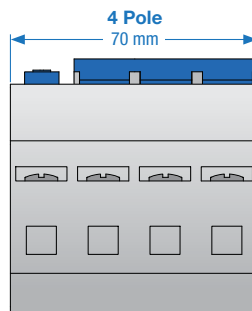
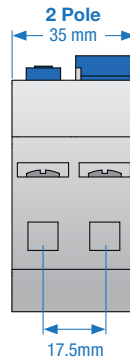
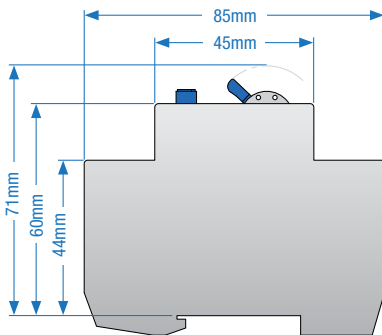


Technical Specification

Number of Poles	2	4
Rated Voltage (U _n)	277V AC	480Y/277V AC
Rated Current	25, 40, 63A	
Rated Residual Operating Current (I _n)	10*, 30, 100, 300, 500mA	
Rated Frequency	50/60Hz	
Cable Size & Tightening Torque	Stranded wire sized 16 - 3 AWG (1.5mm ² - 25mm ²) @ 17.5lb-in (2.0Nm) Solid wire sized 16 - 10 AWG (1.5mm ² - 5.5mm ²) @ 17.5lb-in (2.0Nm) Solid wire sized 18 - 16 AWG (1mm ² - 1.5mm ²) @ 25lb-in (2.8Nm)	
Electrical Life	6000 Switching Operations	
Mechanical Life	10000 Switching Operations	

GF Series RCCB Short Circuit Withstand Rating

V	IR	Backup
2 Pole 277V AC	10kA	Class J Fuse 250A or lower Altech L Series Branch Circuit Breaker Altech R Series Supplementary Protector
4 Pole 480Y/277V AC	10kA	Class J Fuse 250A or lower Altech L Series Branch Circuit Breaker Altech R Series Supplementary Protector



GF Series RCCB Ground Fault Trip Curve

