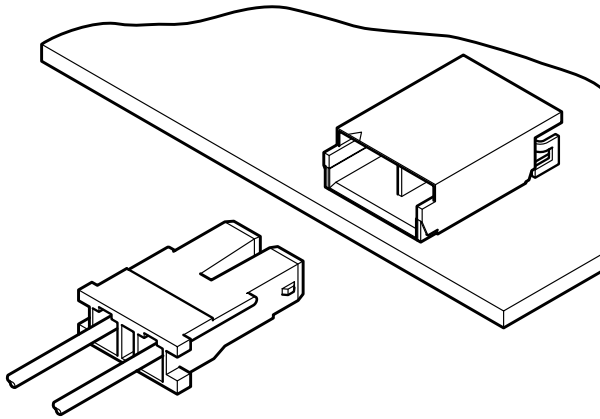




# BHS CONNECTOR



3.5mm pitch/Disconnectable Crimp style connectors



- Low profile
- SMT configuration
- Applicable to special wires
- Housing lock also serves as polarizing device
- Adopt wide large for socket contact

## Specifications

- Current rating: 1.0A AC, DC (AWG #24)
- Voltage rating: 1,400V AC, DC
- Temperature range: -25°C to +85°C  
(including temperature rise in applying electrical current)
- Contact resistance: Initial value/10m Ω max.  
After environmental testing/20m Ω max.
- Insulation resistance: 1,000M Ω min.
- Withstanding voltage: 3,800V AC/minute
- Applicable wire: AWG #28 to #24  
Insulation O.D./0.9 to 1.7mm
- \* Compliant with RoHS.
- \* Refer to "General Instruction and Notice when using Terminals and Connectors" at the end of this catalog.
- \* Contact JST for details.

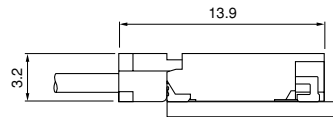
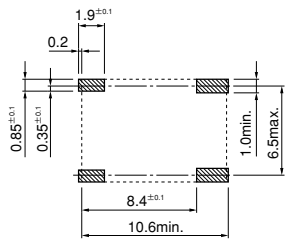
## Standards

Recognized E60389

Certified LR20812

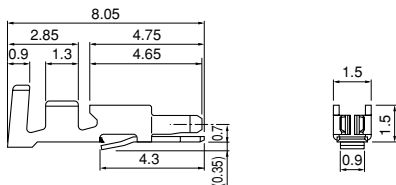
## PC board layout (viewed from component side) and Assembly layout

Solder tabs Solder tails



Note: 1. Tolerances are non-cumulative:  $\pm 0.1$ mm for all centers.  
2. The dimensions above should serve as a guideline. Contact JST for details.

## Contact



Model No.	Applicable wire		Insulation O.D. (mm)	Q'ty / reel
	mm <sup>2</sup>	AWG#		
SBHS-002T-P0.5A	0.08~0.22	28~24	0.9~1.7	10,000

### Material and Finish

Phosphor bronze, tin-plated (reflow treatment)

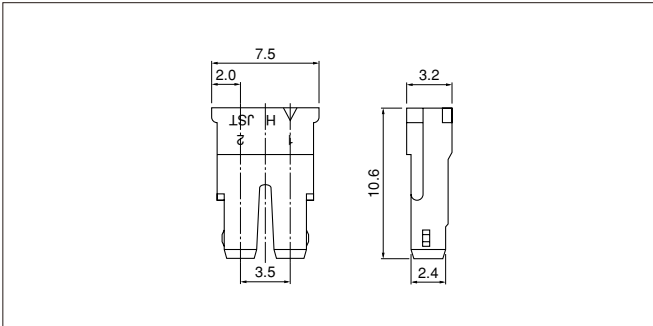
### RoHS compliance

Note: Contact JST for SBHS-002T-P0.5.

Contact	Crimping machine	Applicator		
		Crimp applicator	Dies	Crimp applicator with dies
SBHS-002T-P0.5A	AP-K2N	MKS-L	MK/SBHS-002-05	APLMK SBHS002-05
		—	—	—

# BHS CONNECTOR

## Housing



Circuits	Model No.	Q'ty / bag
2	<b>BHSR-02VS-1 (N)</b>	1,000

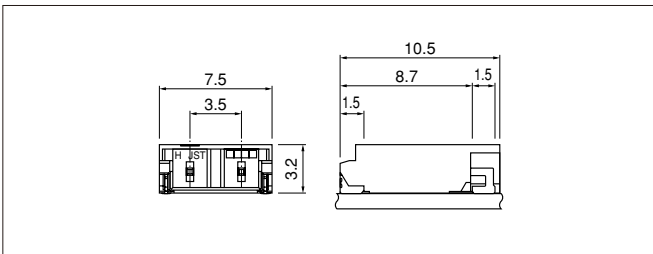
### Material

PA 66, UL94V-0, natural (white)

### RoHS compliance

Note: Contact JST for BHSR-02VS-1.

## Shrouded header



Circuits	Model No.	Q'ty / reel
2	<b>SM02B-BHSS-1-TB</b>	1,000

### Material and Finish

Post: Brass, copper-undercoated, tin-plated (reflow treatment)

Wafer: PPA, UL94V-0, natural (ivory)

Solder tab: Brass, copper-undercoated, tin-plated (reflow treatment)

**RoHS compliance** This product displays (LF)(SN) on a label.

Note: The products listed above are supplied on embossed tape.