

## Product Data Sheet



### 6G38 TS F

3/8" Sectional Terminal Block

Flat Mount

50 Amps, 600 Volts (AC/DC)



**32 Circuits Per Foot**

**Copper Wire Only**

Wire Range with Wire Binding Screw: #8 - #18 AWG

Wire Termination Torque: 16 in. lbs

**See table below for Wire Classes and torque**

#### Electrical Ratings:

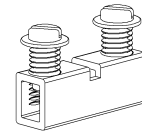
- 50A (Based on NEC Table 310-16, 75°C columns)
- 600 Volts AC/DC (UL 1059 Class C, User Group – General Industrial)
- Short Circuit Current Rating: 10,000A (Default)
- Factory and field wiring

#### Mechanical Ratings:

- Insulator base temperature: -40°C/F 125°C (257°F)\* UL RTI
  - Flammability rating of insulator base: UL 94V-0
  - Touch protection: IP-20 (IEC 60529)
- \* Use outside these ratings needs to be judged in the end-use application.

#### Materials:

- Insulator base: Glass-filled polycarbonate (Gray Thermoplastic)
- Tubular Screw Connector: Copper, tin plated
- Screw, #10-32: Steel, nickel plated



TS: Tubular  
Connector

**Agency Approvals:**

- UL Recognized, UL 1059 Terminal Block Standard, File No. XCFR2.E62806
- CSA Certified, CSA C22.2 No. 158, File No. LR19766
- CE compliant, IEC 60947-7-1
- RoHS Compliant

**Wire Range:**

Wire Size	Torque	Copper Wire Stranding Classes - Number of Conductors						
		Solid	Class B	Class C	Class G	Class H	Class I	Class K
8	16 in. lbs		1	1				
10	16 in. lbs	1	1	1			1	1
12	16 in. lbs	1 - 3	1 - 3	1 - 3			1	1
14	16 in. lbs	1 - 4	1 - 4	1 - 2			1 - 2	1 - 2
16	16 in. lbs	1	1	1				1 - 2
18	16 in. lbs		1	1				1 - 2

For information on copper stranded wire classes, please reference:

<http://www.marathonsp.com/CatalogPDFs/Flexible-Stranded-Wire.pdf>

**Mounting:**

- Panel mountable: #8 (M4) fastener, torque to 15-20 in. lbs.

Standard Pack Qty is 100

**Accessories:**

- Jumper: J-38

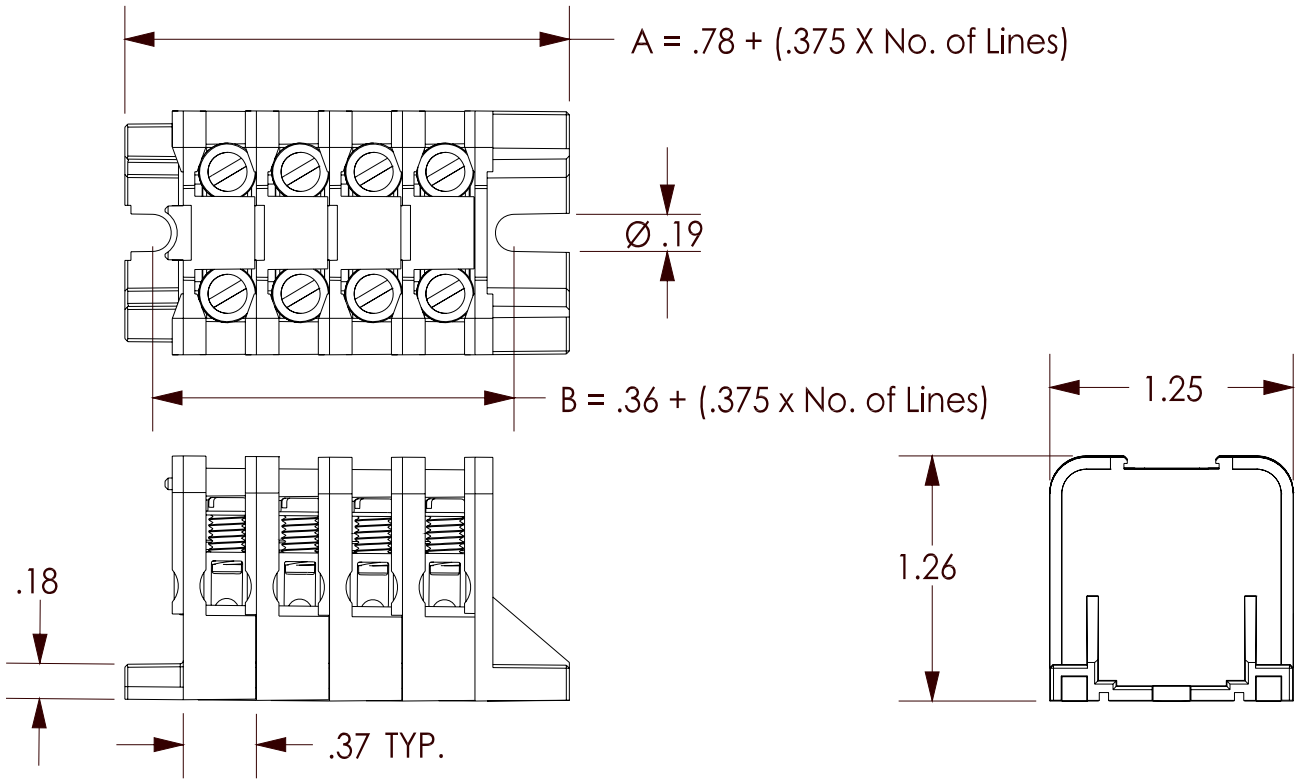


- End section: 6G38 E F



- Marking Strip (1/2" x 2" white: MS 2





[WWW.MARATHONSP.COM](http://WWW.MARATHONSP.COM)  
 1-419-352-8441