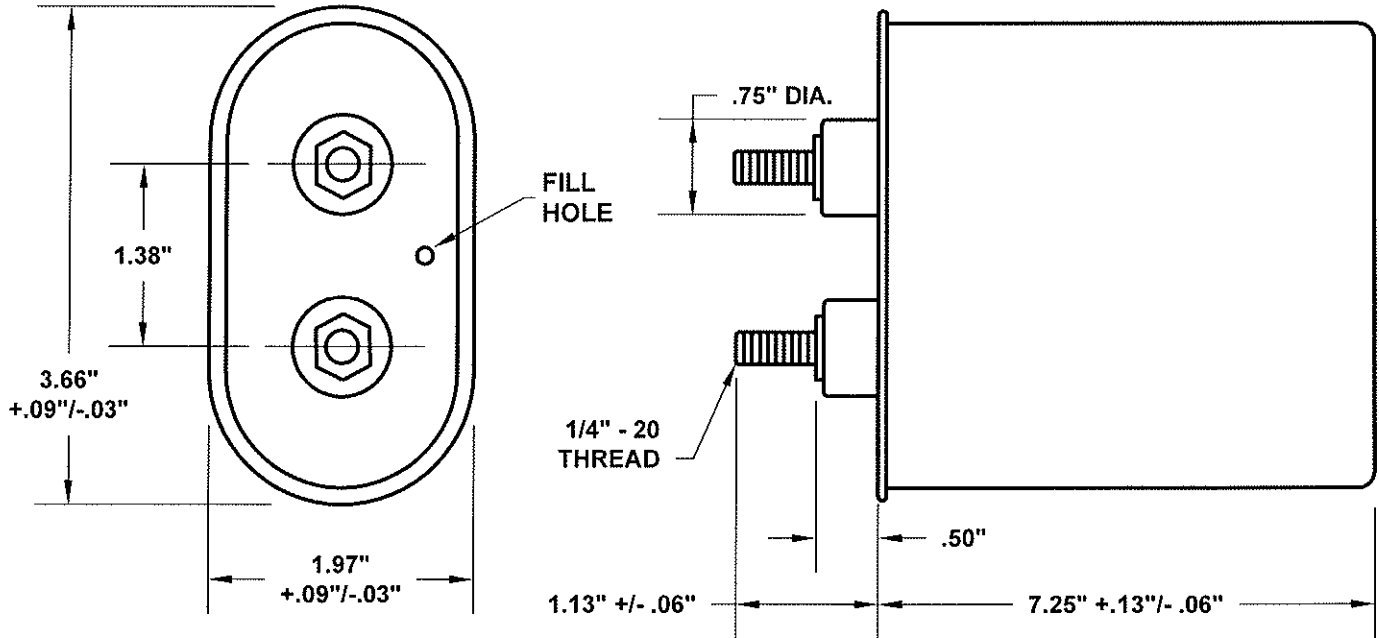
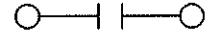


CAPACITY 30 MF +/- 10 %
 CAP. TOL. 27 - 30 - 33
 VOLTAGE 600 VP
 CASE TEMP. 80° C MAX
 VOLT-AMPS. 59125

LABEL
 20 IN - LB MAX TORQUE
 30 MF 600 VP 59125 VA
 RONKEN 64D79306K82
 NO PCB'S MADE IN USA
 CUST P/N DATE



- 1 -- NON-INDUCTIVE, ALL FILM, NON-PCB DESIGN.
- 2 -- FINISH - ALUMINUM
- 3 -- TERMINAL HARDWARE (FLAT WS & NUT) SHIPPED LOOSE.

SHEET 1 OF 1 SHEETS



RONKEN INDUSTRIES INC
 SPRING VALLEY, IL

CAPACITOR ASSEMBLY

DRWN	CHK	APPD	DATE
JEH			07-01-20
PART NO.			ISSUE
64D79306K82			