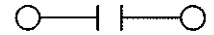
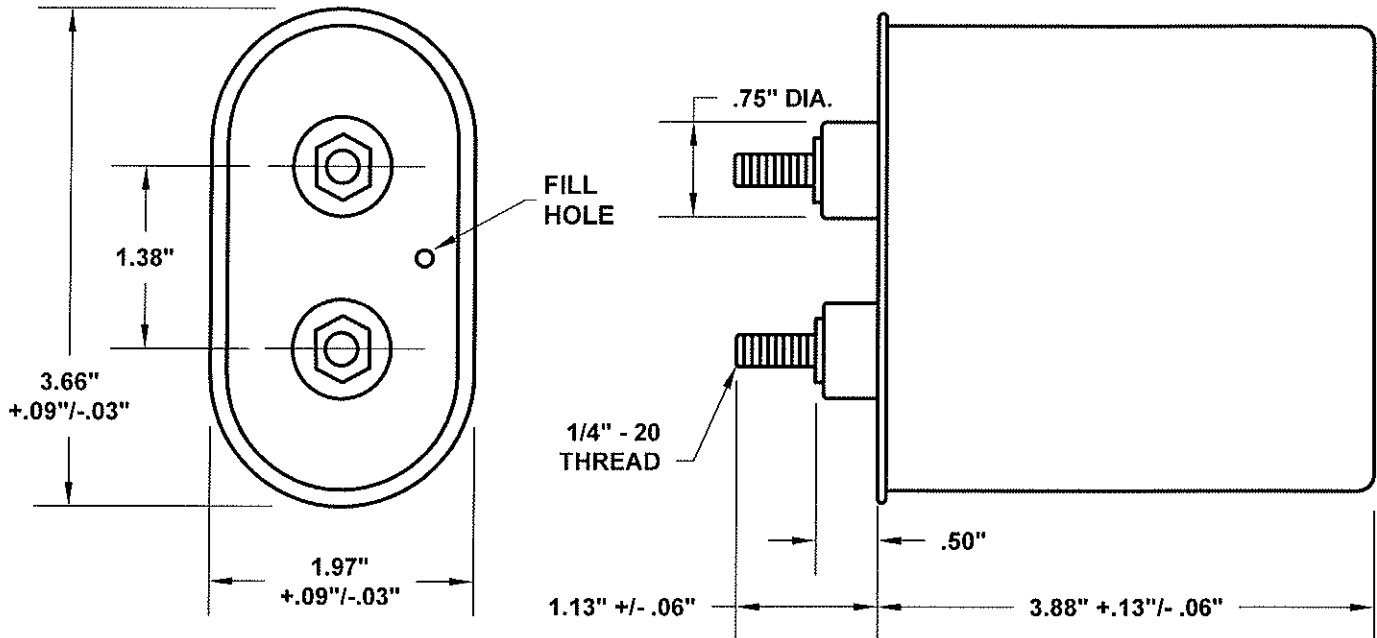


CAPACITY 15 MF +/- 10 %  
 CAP. TOL. 13.5 - 15 - 16.5  
 VOLTAGE 600 VP  
 CASE TEMP. 80° C MAX  
 VOLT-AMPS. 35635

LABEL



20 IN - LB MAX TORQUE  
 15 MF 600 VP 35635 VA  
 RONKEN 64D79156K82  
 NO PCB'S MADE IN USA  
 CUST P/N DATE



- 1 -- NON-INDUCTIVE, ALL FILM, NON-PCB DESIGN.
- 2 -- FINISH - ALUMINUM
- 3 -- TERMINAL HARDWARE (FLAT WS. & NUT) SHIPPED LOOSE.



**RONKEN INDUSTRIES INC**  
 SPRING VALLEY, IL

**CAPACITOR ASSEMBLY**

DRWN	CHK	APPD	DATE
JEH			07-01-20
PART NO.			ISSUE
64D79156K82			