

Product Data Sheet



602 GP XX Std

Replace "XX" with 01 through 26 for number of poles

Terminal Block– Open Back
30 Amps, 300 Volts (AC/DC)



(6 Pole shown)

Insulator Strip Required for Voltage Rating

Copper Wire Only

Wire Range with Wire Binding Screw: #10 - #18 AWG Solid

9/16" Centers

Application torque: 16 in. lbs

Electrical Ratings:

- 30A with Listed ring lug or unprepared wire, (Based on NEC Table 310-16, 75°C columns)
- 300 Volts AC/DC (UL 1059 Class B, User Group – Commercial Appliances)
- Short Circuit Current Rating: 10,000A (Default)
- Approved for Factory and Field Wiring.

Mechanical Ratings:

- Insulator base temperature: -40°C to 150°C (302°F)* UL RTI
- Flammability rating of insulator base: UL 94V-1
- * Use outside these ratings needs to be judged in the end-use application.

Materials:

- Connector (Eyelet): Brass, nickel plated.
- Insulator base: General Phenolic
- Screw, #8-32 Binder head, Phil-Slot: Steel, nickel plated

Agency Approvals:

- UL Recognized, UL 1059 Terminal Block Standard, File No. XCFR2.E47811
- CSA Certified, CSA C22.2 No. 158, File No. LR19766
- CE compliant, IEC 60947-7-1
- RoHS Compliant

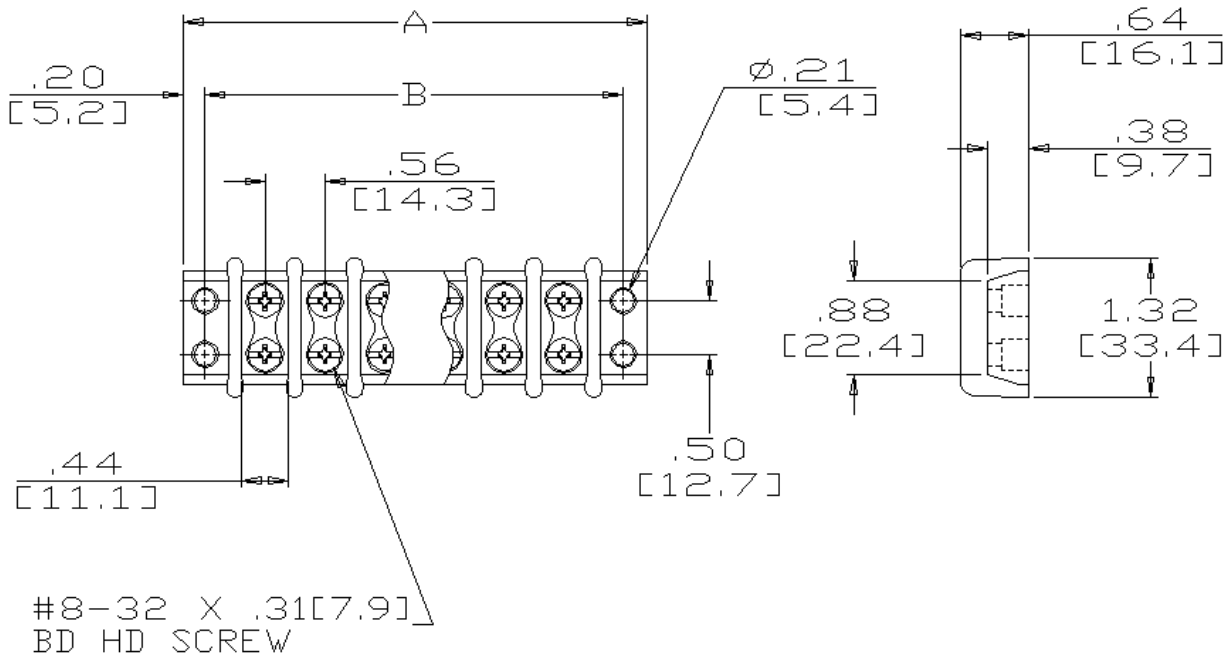
Wire Range:

Wire Size	Torque	Copper Wire Stranding Classes - Number of Conductors		
		Solid	Class B	Class C
10	16 in. Lbs	1		
12	16 in. Lbs	1		
14	16 in. Lbs	1		
16	16 in. Lbs	1		
18	16 in. Lbs	1		

Mounting: #8 fastener, torque to 15 - 20 in. lbs.

Accessories:

- JJ (GDI-30F) Material available. Glass-fiber filler, diallyl ortho-phthalate. UL-94 V0. Certifiable to Military Specifications MIL-M-14 and MIL-P-19833.
- Printing (for printing options, see Terminal Block Printing on website)
- Marking strips - sub mounted, black only (FB) (For Printing Options, see section on website)
- Marking strips – top mounted, white only (SW)
- Insulator strips - sub mounted, black only (BB) (Printing Unavailable). Insulator Strip will be the same width as the molding.
- Cover – top mounted. Order CW (white) or CB (Black). Can be printed. See website.
- Phil-Slot Brass Screw (PSB)



Catalog No	# of Poles	Dimensions		Catalog No	# of Poles	Dimensions	
		A	B			A	B
602 GP 01	1	1.54	1.13	602 GP 14	14	8.85	8.44
602 GP 02	2	2.10	1.69	602 GP 15	15	9.41	9.00
602 GP 03	3	2.66	2.25	602 GP 16	16	9.97	9.56
602 GP 04	4	3.22	2.81	602 GP 17	17	10.54	10.13
602 GP 05	5	3.78	3.38	602 GP 18	18	11.10	10.69
602 GP 06	6	4.35	3.94	602 GP 19	19	11.66	11.25
602 GP 07	7	4.91	4.50	602 GP 20	20	12.23	11.82
602 GP 08	8	5.47	5.06	602 GP 21	21	12.79	12.38
602 GP 09	9	6.04	5.63	602 GP 22	22	13.35	12.94
602 GP 10	10	6.60	6.19	602 GP 23	23	13.92	13.51
602 GP 11	11	7.16	6.75	602 GP 24	24	14.48	14.07
602 GP 12	12	7.72	7.31	602 GP 25	25	15.04	14.63
602 GP 13	13	8.29	7.88	602 GP 26	26	15.60	15.19

Top Mounted Hardware is .250" Wide

MM = Dim X 25.4

WWW.MARATHONSP.COM
1-419-352-8441