

## Product Data Sheet



### 600A GP XX Std

Replace "XX" with 01 through 22 for number of poles

**Terminal Block– Open Back**

**15 Amps, 300 Volts (AC/DC)**



(6 Pole shown)

**Insulator Strip Required for Voltage Rating**

**Copper Wire Only**

Wire Range with Wire Binding Screw: #12 - #22 AWG

3/8" Centers

Application torque: 9 in. lbs

#### **Electrical Ratings:**

- 15A with Listed ring lug or unprepared wire, (Based on NEC Table 310-16, 75°C columns)
- 300 Volts AC/DC (UL 1059 Class B, User Group – Commercial Appliances)
- Short Circuit Current Rating: 10,000A (Default)
- Approved for Factory and Field Wiring with Solid Wire
- Approved for Factory Wiring with Stranded Wire

#### **Mechanical Ratings:**

- Storage and transportation temperature range: -35°C to 110°C (-31°F to 230°F)\*
- Maximum insulator base temperature: 150°C (302°F)\* UL RTI
- Flammability rating of insulator base: UL 94V-1

\* Use outside these ratings needs to be judged in the end-use application.

#### **Materials:**

- Connector (Eyelet): Brass, nickel plated.
- Insulator base: Phenolic
- Screw, #6-32 Binder head, Phil-Slot: Steel, nickel plated

#### **Agency Approvals:**

- UL Recognized, UL 1059 Terminal Block Standard, File No. XCFR2.47811
- CSA Certified, CSA C22.2 No. 158, File No. LR19766

- CE compliant, IEC 60947-7-1
- RoHS Compliant

## Wire Range:

Wire Size	Torque	Copper Wire Stranding Classes - Number of Strands		
		Solid	Class B	Class C
12	9 in. Lbs	1	7	19
14	9 in. Lbs	1	7	19
16	9 in. Lbs	1	7	19
18	9 in. Lbs	1	7	19
20	9 in. Lbs	1	7	19
22	9 in. Lbs		7	19

Suggested product mounting hardware: #6 fastener, torque to 10-15 in. lbs.

## ACCESSORIES:

- JJ (GDI-30F) Material available. Glass-fiber filler, diallyl ortho-phthalate. UL-94 V0. Certifiable to Military Specifications MIL-M-14 and MIL-P-19833.

- Printing (for printing options, see Terminal Block Printing on website)

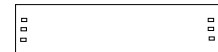
- Marking strips - sub mounted, black only (FB) (For Printing Options, see section on website)



- Marking strips – top mounted, white only (SW)

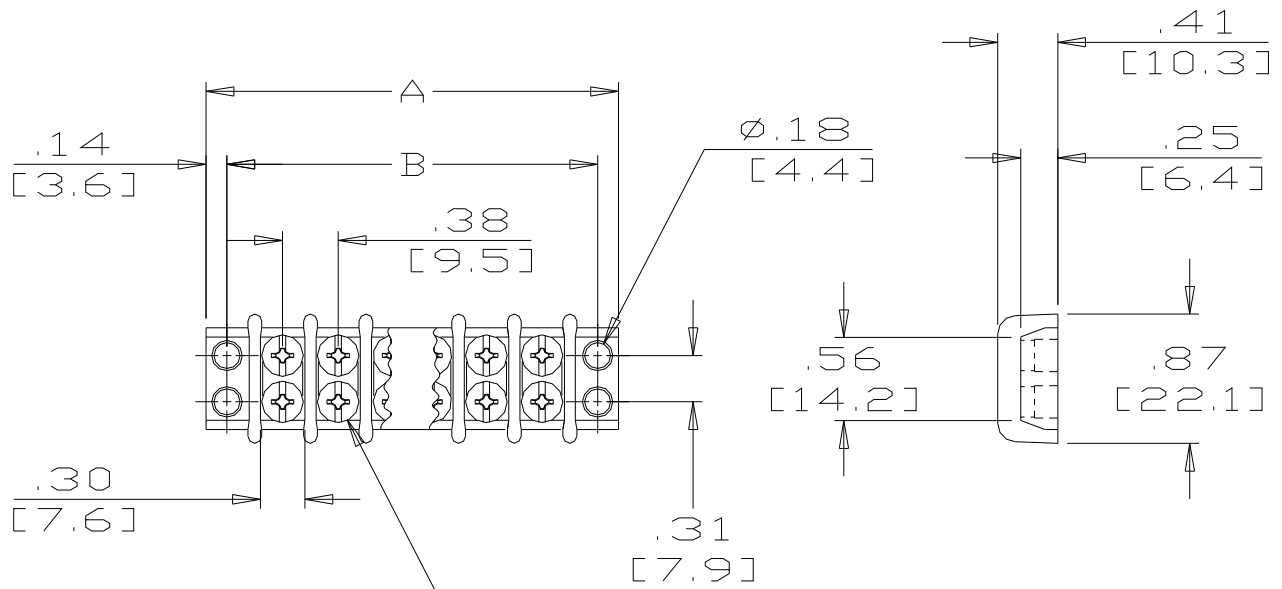
- Insulator strips - sub mounted, black only (BB) (Printing Unavailable). Insulator Strip will be the same width as the molding.

- Cover – top mounted. Order CW (white) or CB (Black). Can be printed. See website.



- Phil-Slot Brass Screw (PSB)

**Accessory options may affect ratings – consult factory**



#6-32 X .25 [6.4]  
BD HD SCREW

Catalog No	# of Poles	Dimensions			X	Catalog No	# of Poles	Dimensions	
		A	B					A	B
600A GP 01	1	1.03	0.75		600A GP 12	12	5.16	4.88	
600A GP 02	2	1.41	1.13		600A GP 13	13	5.53	5.25	
600A GP 03	3	1.78	1.50		600A GP 14	14	5.91	5.63	
600A GP 04	4	2.16	1.88		600A GP 15	15	6.28	6.00	
600A GP 05	5	2.53	2.25		600A GP 16	16	6.66	6.38	
600A GP 06	6	2.91	2.63		600A GP 17	17	7.03	6.75	
600A GP 07	7	3.28	3.00		600A GP 18	18	7.41	7.13	
600A GP 08	8	3.66	3.38		600A GP 19	19	7.78	7.50	
600A GP 09	9	4.03	3.75		600A GP 20	20	8.16	7.88	
600A GP 10	10	4.41	4.13		600A GP 21	21	8.53	8.25	
600A GP 11	11	4.78	4.50		600A GP 22	22	8.91	8.63	

Top Mounted Hardware is .187" Wide

MM = Dim X 25.4

[WWW.MARATHONSP.COM](http://WWW.MARATHONSP.COM)  
1-419-352-8441

PDS 0260 REV A 2/28/08