

INTERFACES
CONNECTOR-TO-WIRE
Subminiature D Module
35 or 32mm DIN Rail

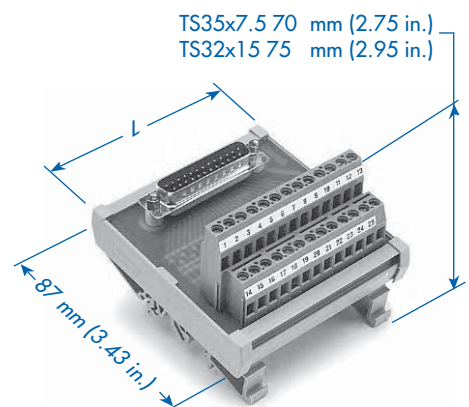
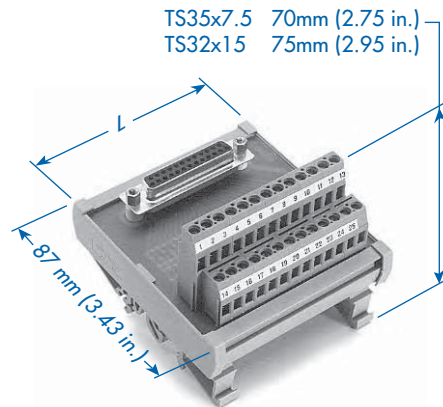
Compact Subminiature D (Sub D) Modules provide quick and reliable interfaces between high density connectors (back shells) with up to 50 poles and discrete wires. Connector-to-Wire Interface modules save time and eliminate wiring mistakes. No special tools are required. Sub D Interface modules are typically used in communications, data processing, process control and other industrial applications.

Keyed by design, Sub D Modules are equipped with male or female connectors, screw-cage clamp terminal blocks, and component solder pads for easy insertion of circuit building components. All terminal blocks are individually marked to correspond to the numbers on the connector pins or sockets.

- Screw-Cage Clamp Connections
- 4 to 5 Component Solder Pads Per Line^a
- .9mm (.035 in.) Component Mtg. Holes
- DIN Rail Mount, Panel Mount Available

SD
Female Sub D

SD
Male Sub D



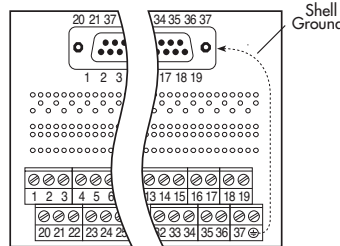
Wire Range	Current	Voltage
0.5-4mm ²	4A	250VAC
22-12 AWG		

Wire Range	Current	Voltage
0.5-4mm ²	4A	250VAC
22-12 AWG		

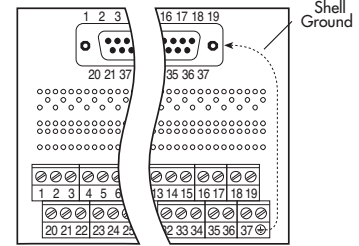
Ordering Information	No. of Poles	Type	Cat. No.	Module Length (L) mm (in.)	Std. Pk.
Sub D, Female Connector	9	SD-F9	5745.2	45 (1.77)	1
	15	SD-F15	5746.2	48 (1.89)	1
	25	SD-F25	5747.2	81 (3.19)	1
	37	SD-F37	5748.2	114 (4.49)	1
	50	SD-F50	5749.2	137 (5.39)	1

Type	Cat. No.	Module Length (L) mm (in.)	Std. Pk.
SD-M9	5740.2	45 (1.77)	1
SD-M15	5741.2	48 (1.89)	1
SD-M25	5742.2	81 (3.19)	1
SD-M37	5743.2	114 (4.49)	1
SD-M50 ^b	5744.2	137 (5.39)	1

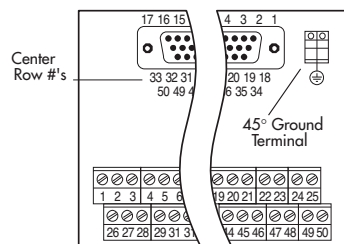
Ordering Information	No. of Poles
Sub D, Male Connector	9
	15
	25
	37
	50



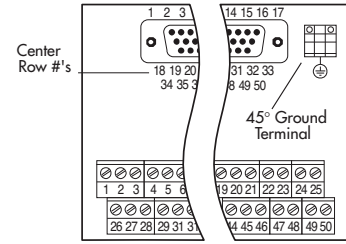
Female Connector SD-F37
37 Pin Socket Female Connector Shown with component counting holes (pads are on solder side)



Male Connector SD-M37
37 Pin Male Connector Shown with component mounting holes (pads are on solder side)



Female Connector SD-F50
50 Pin Socket Female Connector Shown with no component solder pads



Male Connector SD-M50
50 Pin Male Connector Shown with no component solder pads

^a SD-F50 and SD-M50 are double-sided boards and do not have component solder pads.

^b SD-M50 is only available with a 1.5A current rating.