

## R-Series - UL1077 Supplementary Protector - 3 pole C-Trip

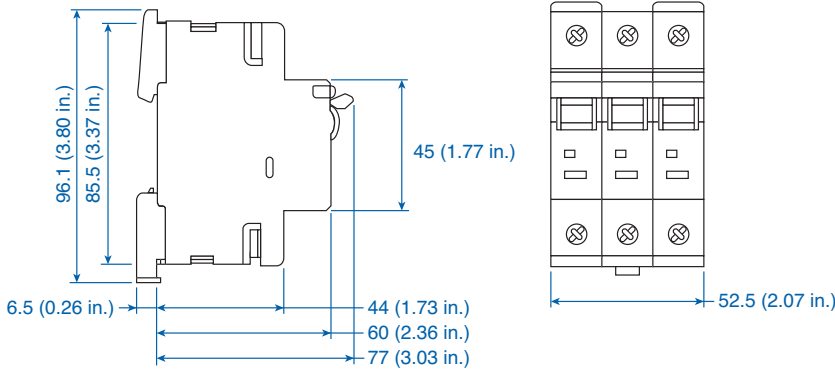


### Three Pole

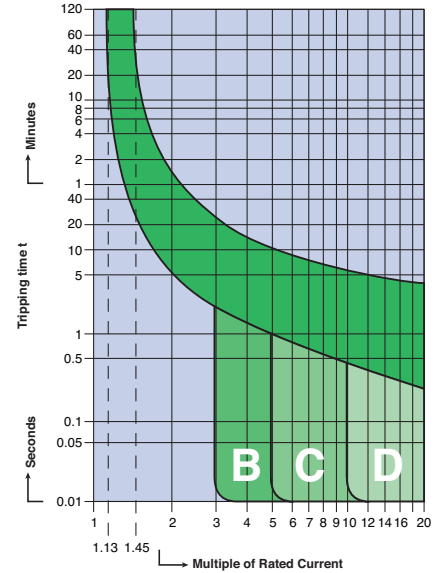
Standard Pack: 4

Weight:  
0.5A - 63A: 1.6kg (3.54 lb.)

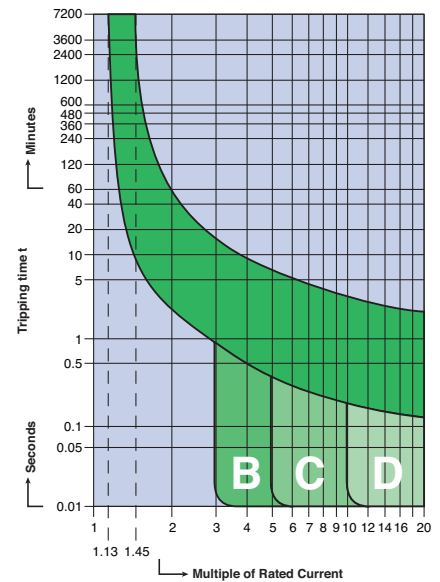
Rated Current	Type/ Cat. No.
0.5A	3CU05R
1.0A	3CU1R
2.0A	3CU2R
3.0A	3CU3R
4.0A	3CU4R
5.0A	3CU5R
6.0A	3CU6R
8.0A	3CU8R
10A	3CU10R
12A	3CU12R
13A	3CU13R
15A	3CU15R
16A	3CU16R
20A	3CU20R
25A	3CU25R
30A	3CU30R
32A	3CU32R
35A	3CU35R
40A	3CU40R
50A	3CU50R
60A	3CU60R
63A	3CU63R



B, C and D Trip, Less than 10A



B, C and D Trip, 10A and higher



<b>Voltage Rating</b>	480Y/277VAC
<b>Short Circuit Withstand Rating (UL - Ratings)</b>	0.5-6A (RC): 10kA with no back-up fuse 8-63A (RC): 10kA with UL-listed Class J back-up fuse; 5kA with no back-up fuse
<b>Interrupting Capacity (IEC/EN60898/60947-2)</b>	0.5-63A (RC): 10kA
<b>Calibration Temperature</b>	30°C (86°F)
<b>Operating Temperature</b>	-25° to 60°C (-13° to 140°F)
<b>Storage Temperature</b>	-25° to 75°C (-13° to 167°F)
<b>Terminal Size Acceptability:</b>	
<b>Solid Wire</b>	18 AWG -10 AWG
<b>Stranded Wire</b>	18 AWG -3 AWG (Line/Load reversible)
<b>Terminal Torque</b>	2.8 Nm (25 lb-in.)
<b>Terminal Protection Degree</b>	IP20
<b>Vibration Resistance</b>	3g (18-50Hz)

### SHORT CIRCUIT WITHSTAND RATINGS FOR R-SERIES SUPPLEMENTARY PROTECTOR

Trip Curve	Interrupting Capacity	Amp Range	Backup Protection
All	5kA	0.5-63A	No backup fuse required
All	10kA	0.5-6A 8-63A	No backup fuse required UL-listed Class J backup fuse 4 x RC*

\*up to nearest rated current