

PLEASE CHECK WWW.MOLEX.COM FOR LATEST PART INFORMATION

Part Number: [39990-0302](#)
Status: **Active**
Description: 5.00mm Pitch Beau™ Eurostyle™ Screw Clamp Plug, 2 Circuits

Documents:

[Drawing \(PDF\)](#) [RoHS Certificate of Compliance \(PDF\)](#)

Agency Certification

UL E48521

General

Product Family Terminal Blocks
 Series [39990](#)
 Application Wire-to-Board
 Comments Gold plating available
 Component Type Plug
 Product Name Eurostyle™ Pluggable
 Type Euro Block

Physical

Circuits (Loaded) 2
 Color - Resin Black
 Entry Angle Horizontal
 Flammability 94V-0
 Lock to Mating Part Yes
 Material - Metal Brass
 Material - Resin Nylon
 Number of Rows 1
 Orientation Vertical
 PCB Retention N/A
 Panel Mount No
 Pitch - Mating Interface 5.00mm
 Pitch - Termination Interface 5.00mm
 Polarized to Mating Part Yes
 Shrouded Fully
 Stackable No
 Surface Mount Compatible (SMC) No
 Temperature Range - Operating 110°C
 Termination Interface: Style Surface Mount
 Wire Size AWG 12, 14, 16, 18, 20, 22, 24

Electrical

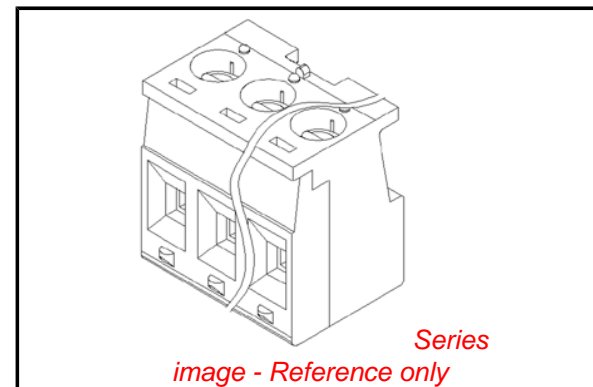
Current - Maximum per Contact 10A
 Voltage - Maximum 300V

Material Info

Old Part Number 990902

Reference - Drawing Numbers

Sales Drawing SD-39990-001



EU RoHS

RoHS Compliant by Exemption

REACH SVHC

Not Reviewed

Low-Halogen Status

Not Reviewed

China RoHS



Need more information on product environmental compliance?

Email productcompliance@molex.com
 For a multiple part number RoHS Certificate of Compliance, [click here](#)

Please visit the [Contact Us](#) section for any non-product compliance questions.

Search Parts in this Series

[39990Series](#)

Mates With

[399900402](#)