

## Product Data Sheet



### 38TB XX F

Replace "XX" 02 through 23 for number of poles

#### Military Class Terminal Board

20 Amps

600 Volts



(6 Pole shown)

#### Copper Wire Only

Double Row  
7/16" Centers

Recommended Maximum size wire: #14 AWG

#### Electrical Ratings:

- 20 Amps
- 600 Volts
- D.W.V.: 3400 Volts RMS

#### Mechanical Ratings:

- Maximum insulator base temperature: 155°C (311°F)\* UL RTI
- Flammability rating of insulator base: UL 94V-0

#### Materials:

- Insulator base: MAI-60, Grade F temperature rating, Grey color
- Terminal Plates: Brass per QQ-B-613, Nickel plated per QQ-N-290
- Screws: Brass per QQ-W-321, Nickel plated per QQ-N-290

#### Agency Compliances:

- A-A-59125 / 2, (supercedes MIL-T-55164 / 2)
- MAI-60 in accordance with MIL-M-14, ASTM 5948-96
- RoHS Compliant
- DFARS Compliant

#### Wire Range:

- Maximum size: #14 AWG Copper
- Recommended Torque: 9 in. lbs. (1.0 N·m)

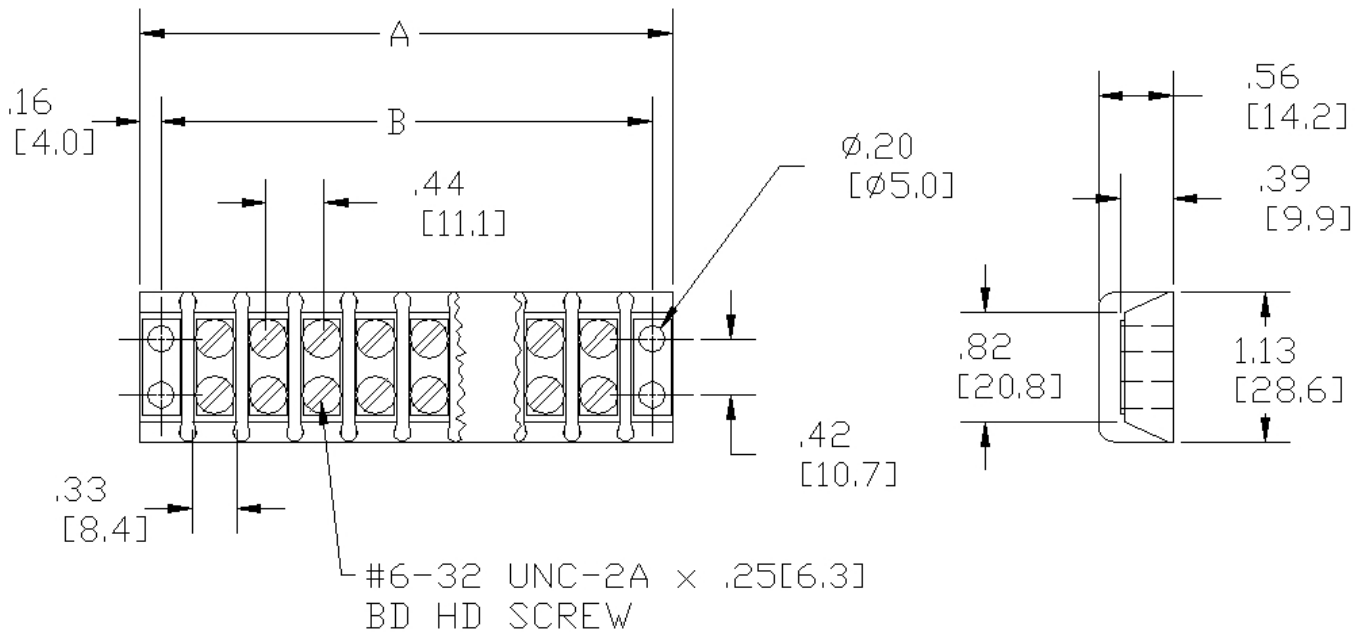
Suggested product mounting hardware: #6 fastener, torque to 15 - 20 in. lbs.

**Accessories:**

- Marking strips – MSA, MSB, or MSC

<http://www.marathonsp.com/CatalogPDFs/MilitaryMS.pdf>

Catalog Number	# of Poles	Dimensions			Catalog Number	# of Poles	Dimensions	
		A	B				A	B
38TB02F	2	1.579 - 1.672	1.296 - 1.343	x	38TB13F	13	6.407 - 6.516	6.110 - 6.188
38TB03F	3	2.016 - 2.109	1.734 - 1.781	x	38TB14F	14	6.844 - 6.953	6.547 - 6.625
38TB04F	4	2.454 - 2.547	2.172 - 2.219	x	38TB15F	15	7.282 - 7.391	6.985 - 7.063
38TB05F	5	2.891 - 2.984	2.609 - 2.656	x	38TB16F	16	7.719 - 7.828	7.422 - 7.500
38TB06F	6	3.329 - 3.422	3.046 - 3.093	x	38TB17F	17	8.157 - 8.266	7.860 - 7.938
38TB07F	7	3.766 - 3.859	3.484 - 3.531	x	38TB18F	18	8.594 - 8.703	8.297 - 8.375
38TB08F	8	4.204 - 4.297	3.937 - 3.984	x	38TB19F	19	9.079 - 9.156	8.750 - 8.828
38TB09F	9	4.641 - 4.734	4.375 - 4.422	x	38TB20F	20	9.517 - 9.594	9.188 - 9.266
38TB10F	10	5.079 - 5.172	4.812 - 4.859	x	38TB21F	21	9.954 - 10.031	9.625 - 9.703
38TB11F	11	5.532 - 5.625	5.250 - 5.625	x	38TB22F	22	10.392 - 10.469	10.063 - 10.141
38TB12F	12	5.969 - 6.078	5.687 - 5.734	x	38TB23F	23	10.829 - 10.906	10.500 - 10.578



[WWW.MARATHONSP.COM](http://WWW.MARATHONSP.COM)  
1-419-352-8441