

Product Data Sheet



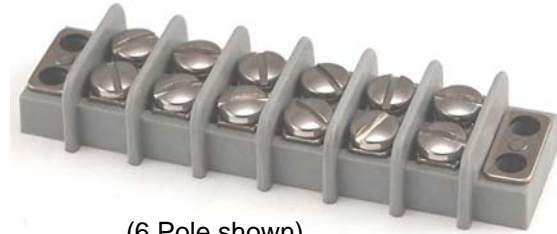
37TB XX B

Replace "XX" 02 through 20 for number of poles

Military Class Terminal Board

15 Amps

300 Volts



(6 Pole shown)

Copper Wire Only

Double Row
3/8" Centers

Recommended Maximum size wire: #16 AWG

Electrical Ratings:

- 15 Amps
- 300 Volts

Mechanical Ratings:

- Maximum insulator base temperature: 130°C (266°F)* UL RTI
- Flammability rating of insulator base: UL 94V-0

Materials:

- Insulator base: Valox 420 SEO (GPT-30F), Grey color
- Terminals: Brass, Nickel plated, Ultrasonically inserted
- Screws: Brass, Nickel plated, 6-32 Binder head, slotted
- End Plates: Brass, Nickel plated

Agency Compliances:

- A-A-59125 / 1 , (supercedes MIL-T-55164 / 1)
- GPT-30F in accordance with MIL-M-24519
- RoHS Compliant
- DFARS Compliant

Wire Range:

- Maximum size: #16 AWG Copper
- Recommended Torque: 6 – 8 in. lbs. (0.7 – 0.9 N·m)

Suggested product mounting hardware: #6 fastener, torque to 10-15 in. lbs.

ACCESSORIES:

- Marking strips – MSA, MSB, or MSC

<http://www.marathonsp.com/CatalogPDFs/MilitaryMS.pdf>

- Solder Terminal (ST) - commercial grade only (order ST600)



- Half Solder Terminal (3/4 ST) – commercial grade only (order 3/4 ST 600)



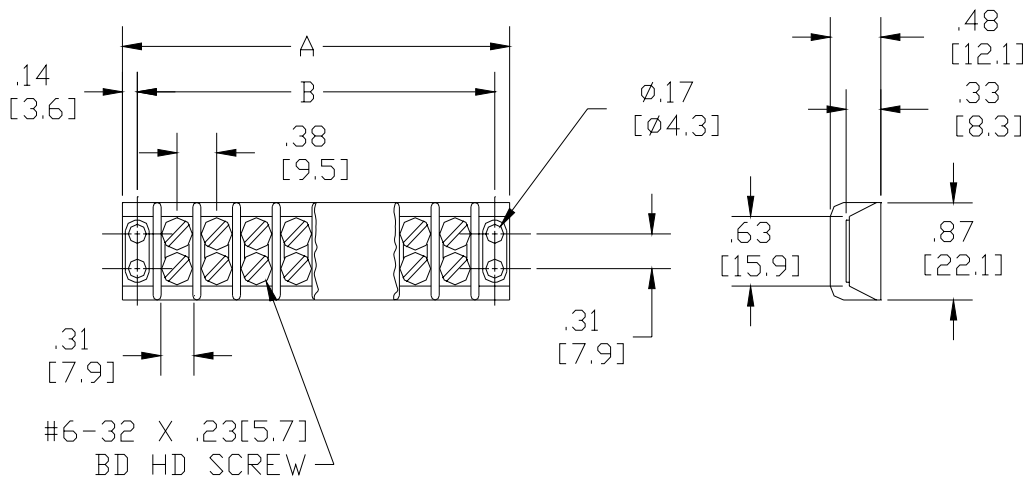
- Line to Line Jumper – commercial grade only (J 600)



- Multiple Position Jumper – commercial grade only (600RJ) or (600RJS)



Catalog No	# of Poles	Dimensions		X	Catalog No	# of Poles	Dimensions	
		A	B				A	B
37TB02B	2	1.41	1.13	X	37TB12B	12	5.16	4.88
37TB03B	3	1.78	1.50	X	37TB13B	13	5.53	5.25
37TB04B	4	2.16	1.88	X	37TB14B	14	5.91	5.63
37TB05B	5	2.53	2.25	X	37TB15B	15	6.28	6.00
37TB06B	6	2.91	2.63	X	37TB16B	16	6.66	6.38
37TB07B	7	3.28	3.00	X	37TB17B	17	7.03	6.75
37TB08B	8	3.66	3.38	X	37TB18B	18	7.41	7.13
37TB09B	9	4.03	3.75	X	37TB19B	19	7.78	7.50
37TB10B	10	4.41	4.13	X	37TB20B	20	8.16	7.88
37TB11B	11	4.78	4.50	X				



WWW.MARATHONSP.COM

1-419-352-8441