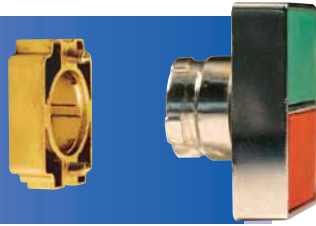


22mm Twin Touch Metal Non-Illuminated Operators



Certified for
NEMA Type 4X
12 environment.

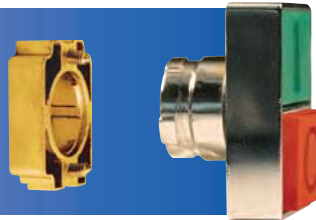
Twin Touch/ Not Marked *with mounting bracket*



Arrows marking available upon request.

Color	Description	Cat No.
	GREEN-RED Flush	2ATF3-F4
	YELLOW-BLACK Flush	2ATF8-F2
	BLACK-WHITE Flush	2ATF2-F1
	GREEN-RED Green Flush, Red Projecting	2ATF3-P4
	YELLOW-BLACK Yellow Flush, Black Projecting	2ATF8-P2
	WHITE-BLACK White Flush, Black Projecting	2ATF1-P2

Twin Touch I-O Marked *with mounting bracket*



Arrows marking available upon request.

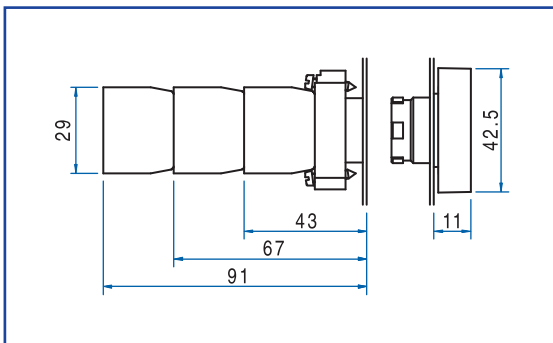
Color	Description	Cat No.
	GREEN-RED Flush	2ATF3-F4-IO
	YELLOW-BLACK Flush	2ATF8-F2-IO
	BLACK-WHITE* Flush	2ATF2-F1-IO
	GREEN-RED Green Flush, Red Projecting	2ATF3-P4-IO
	YELLOW-BLACK Yellow Flush, Black Projecting	2ATF8-P2-IO
	WHITE-BLACK* White Flush, Black Projecting	2ATF1-P2-IO

*Comply with vision impaired requirements.

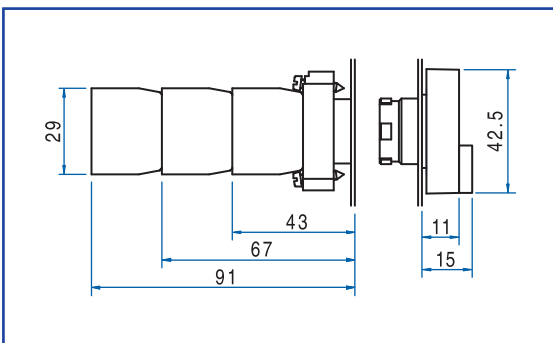
Dimensional Drawings

All dimensions shown in millimeters.
To convert to inches multiply by 0.03937

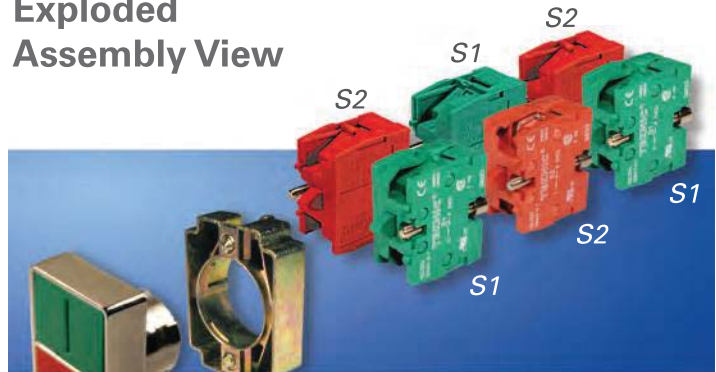
Twin Touch/ Flush



Twin Touch/ Flush/ Projecting

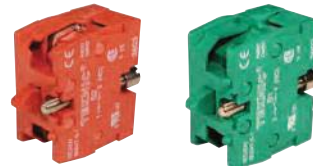


Exploded Assembly View



- Up to four switch contacts can be installed with any illuminated operators.
- Switch contacts and operators are sold separately. Preassembled push buttons are available on request.

Switch Contacts *(sold separately)*



- Heavy-duty contact blocks with mounting screws. Blocks can be stacked 2 blocks across by 3 blocks deep for a total of 6 circuits.
- Contact blocks are available with silver contacts or gold plated contacts
- Self-wiping contacts

	Panel Mount Cat No.	Base Mount* Cat No.
Normally Open Silver	S1	S5
Normally Closed Silver	S2	S6
Normally Open Gold plated	S3	S7
Normally Closed Gold plated	S4	S8

*For use with non-illuminated operators in thermoplastic or aluminum enclosures listed on pages 30 and 36-37.

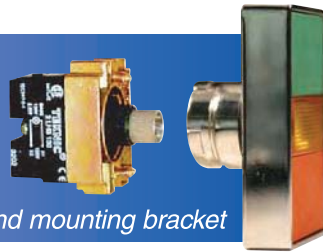
22mm Twin Touch Metal LED Illuminated Operators



Certified for
NEMA Type 4X
12 environment.

Illuminated Center Twin Touch/ Not Marked

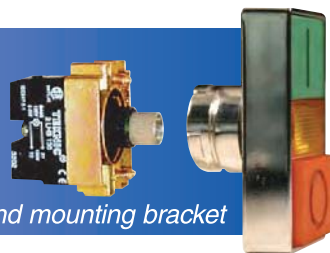
with LED bulb, bulb holder and mounting bracket



Arrows marking available upon request.
Other lense colors available upon request.

Illuminated Center Twin Touch/ I-O Marked

with LED bulb, bulb holder and mounting bracket

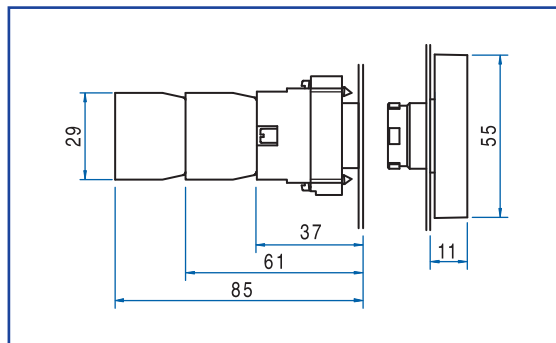


Arrows marking available upon request.
Other lense colors available upon request.

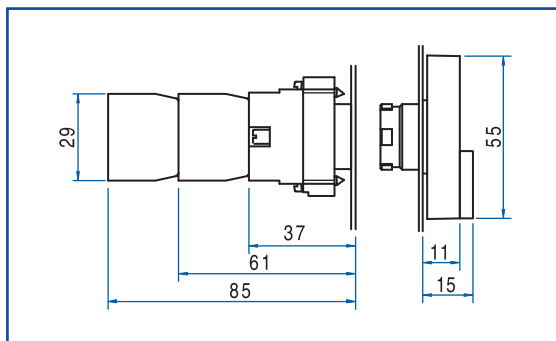
Dimensional Drawings

All dimensions shown in millimeters.
To convert to inches multiply by 0.03937

Illuminated Twin Touch/ Flush



Illuminated Twin Touch/ Flush/ Projecting

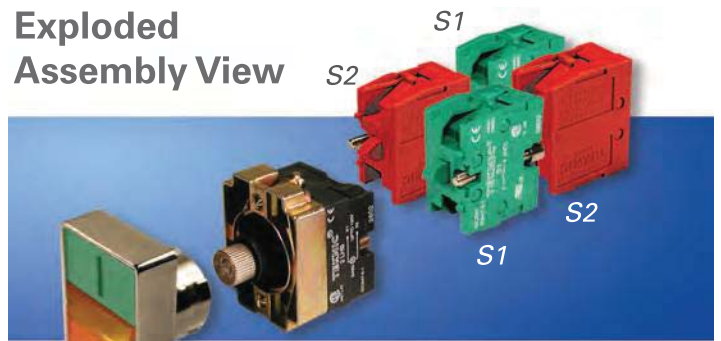


Color	Description	Cat No.
GREEN-RED, Flush, Illuminated Center		
	Amber 12VAC/DC	2ATL5LB F3F4-012
	Amber 24VAC/DC	2ATL5LB F3F4-024
	Amber 48VAC/DC	2ATL5LB F3F4-048
	Amber 110VAC**	2ATL5LB F3F4-110
	Amber 230VAC**	2ATL5LB F3F4-230
GREEN-RED, Green Flush/ Red Projecting, Illuminated center		
	Amber 12VAC/DC	2ATL5LB F3P4-012
	Amber 24VAC/DC	2ATL5LB F3P4-024
	Amber 48VAC/DC	2ATL5LB F3P4-048
	Amber 110VAC**	2ATL5LB F3P4-110
	Amber 230VAC**	2ATL5LB F3P4-230

Color	Description	Cat No.
GREEN-RED, Flush, Illuminated Center		
	Amber 12VAC/DC	2ATL5LB F3F4-IO-012
	Amber 24VAC/DC	2ATL5LB F3F4-IO-024
	Amber 48VAC/DC	2ATL5LB F3F4-IO-048
	Amber 110VAC**	2ATL5LB F3F4-IO-110
	Amber 230VAC**	2ATL5LB F3F4-IO-230
GREEN-RED, Green Flush/ Red Projecting, Illuminated Center		
	Amber 12VAC/DC	2ATL5LB F3P4-IO-012
	Amber 24VAC/DC	2ATL5LB F3P4-IO-024
	Amber 48VAC/DC	2ATL5LB F3P4-IO-048
	Amber 110VAC**	2ATL5LB F3P4-IO-110
	Amber 230VAC**	2ATL5LB F3P4-IO-230
WHITE-BLACK*, Flush, Illuminated Center		
	Amber 12VAC/DC	2ATL5LB F2F1-IO-012
	Amber 24VAC/DC	2ATL5LB F2F1-IO-024
	Amber 48VAC/DC	2ATL5LB F2F1-IO-048
	Amber 110VAC**	2ATL5LB F2F1-IO-110
	Amber 230VAC**	2ATL5LB F2F1-IO-230

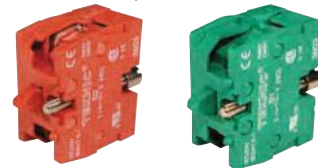
* Comply with vision impaired requirements.
** 110V DC and 230V DC version is available on request.

Exploded Assembly View



- Up to four switch contacts can be installed with any illuminated operators.
- Switch contacts and operators are sold separately. Preassembled push buttons are available on request.

Switch Contacts (sold separately)



	Panel Mount Cat No.	Base Mount* Cat No.
Normally Open Silver	S1	S5
Normally Closed Silver	S2	S6
Normally Open Gold plated	S3	S7
Normally Closed Gold plated	S4	S8

* For use with non-illuminated operators in thermoplastic or aluminum enclosures listed on pages 30 and 36-37.

22mm Specifications

Electrical and Mechanical Characteristics

Standard conformity:	IEC 60947-5-1
Approvals:	VDE0660 CSA - C22.2 No. 14-95 UL508 IEC 947 - 5 (1) 1990, IS 13947 ASTA UK certified as per IEC 947 - 5 - (1) 1990
Degree of protection:	IP 65 as per IEC 529 NEMA Type 4X, 12 as per UL50
Temperature Range:	- 25°C to + 70°C (-13°F to +158°F)

Contact Block

Rated voltage:	600V AC /DC
Rated current:	10A AC / 2.5A DC
Contact operation:	self-wiping, slow break NO or NC
UL508 rating (pilot duty):	
CSA - C22.2 No. 14-95:	A600: 10A; 600V AC Q600: 2.5A; 600V DC
Make and break capacity	
IEC 947 - 5 - (1) 1990:	AC 15 4A, 415V AC DC 13 0.5A, 110V DC
Terminal capacity:	minimum 20 AWG (0.5 mm ²) maximum 2x16 AWG (2 x 1.5 mm ²) or 14 AWG (2.5 mm ²)
Terminal marking:	1-2 for NC, 3-4 for NO
Short circuit protection:	10A cartridge fuse HRC type, rated for resistive loads
Mechanical life:	1 million operations

Modules for Pilot Lights & Illuminated Switches with LED Bulbs

Current consumption (applicable to all colors)	
24 VAC/DC, 100 VAC & 240 VAC:	max. 20 mA
110 VDC:	max. 15 mA
220 VDC:	max. 10 mA
Service life (at nominal voltage and at ambient temperature of 25°C):	100,000 hours
Voltage limits (nominal voltage):	<20% of rated voltage>
Short circuit protection:	on specific request
Terminal capacity:	min. 1 x 0.5 mm ² (20 AWG), max. 2 x 1.5 mm ² (2x16 AWG) or 1 x 2.5 mm ² (1x14 AWG)

Torque Specifications

Mounting bracket screws	1.2 Nm (10.8 lbs. in.)
Contact block to bracket screws	0.5 Nm (4.5 lbs. in.)
Terminal screws (wiring)	0.8 Nm (7.2 lbs. in.)