

TK 1309 – Polystyrene and Polycarbonate – 130 x 94 mm (5.12 x 3.70 in.)

Standard Features

- **Protection Level:** IP66 (NEMA Type: 4X with gray cover, 12K with transparent cover)
- **Technical:** Smooth or Knockout Sidewalls
Gray or Tinted Transparent Cover
Multiple Enclosure Mounting Options
- **UL Recognized Enclosure Materials:** Polystyrene or Polycarbonate
- **Gasket Material:** Polyurethane
- **Color:** Light Gray
- **Material Temperature Range:** Polystyrene
-40°C to 70°C (-40°F to 158°F)
Polycarbonate
-40°C to 120°C (-40°F to 248°F)
- **Accessories:** See section below



Smooth Sidewalls

| Smooth Sidewalls | | | Polystyrene | | | | Polycarbonate | | | |
|--------------------------|-----------------|----------|--------------|-------------|----------|----------|---------------|-------------|----------|--|
| Ordering Information | Height mm (in) | Cat. No. | Type | Cover Color | Std. Pk. | Cat. No. | Type | Cover Color | Std. Pk. | |
| ☐ Enclosure - low cover | 57 mm (2.24 in) | 110-409 | PS 1309-6-o | gray | 3 | 120-409 | PC 1309-6-o | gray | 3 | |
| ☐ Enclosure - high cover | 81 mm (3.19 in) | 110-909 | PS 1309-8-o | gray | 3 | 120-909 | PC 1309-8-o | gray | 3 | |
| ☐ Enclosure - low cover | 57 mm (2.24 in) | 111-009 | PS 1309-6-to | trans. | 3 | 130-009 | PC 1309-6-to | trans. | 3 | |
| ☐ Enclosure - high cover | 81 mm (3.19 in) | 111-509 | PS 1309-8-to | trans. | 3 | 130-509 | PC 1309-8-to | trans. | 3 | |

Sidewalls with Metric Knockouts

| Sidewalls with Metric Knockouts | | | Polystyrene | | | | Polycarbonate | | | |
|---------------------------------|-----------------|----------|--------------|-------------|----------|----------|---------------|-------------|----------|--|
| Ordering Information | Height mm (in) | Cat. No. | Type | Cover Color | Std. Pk. | Cat. No. | Type | Cover Color | Std. Pk. | |
| ☐ Enclosure - low cover | 57 mm (2.24 in) | 105-409 | PS 1309-6-m | gray | 3 | 127-409 | PC 1309-6-m | gray | 3 | |
| ☐ Enclosure - high cover | 81 mm (3.19 in) | 105-909 | PS 1309-8-m | gray | 3 | 127-909 | PC 1309-8-m | gray | 3 | |
| ☐ Enclosure - low cover | 57 mm (2.24 in) | 106-009 | PS 1309-6-tm | trans. | 3 | 137-009 | PC 1309-6-tm | trans. | 3 | |
| ☐ Enclosure - high cover | 81 mm (3.19 in) | 106-509 | PS 1309-8-tm | trans. | 3 | 137-509 | PC 1309-8-tm | trans. | 3 | |

Accessories

| Ordering Information | Cat. No. | Type | Std. Pk. |
|--------------------------|----------|------------|----------|
| Mounting Plate (plastic) | 195-009 | TKMPI-1309 | 1 |
| Mounting Plate (steel) | 197-009 | TKMPS-1309 | 1 |
| DIN Rail TS35-106mm | 198-106 | TS 35/106 | 1 |
| DIN Rail TS15-111mm | 197-111 | TS 15/111 | 1 |
| Hinge Kit Set | 190-002 | HK1 | 1 |
| Mounting Tab Kit | 194-001 | MT1 | 1 |

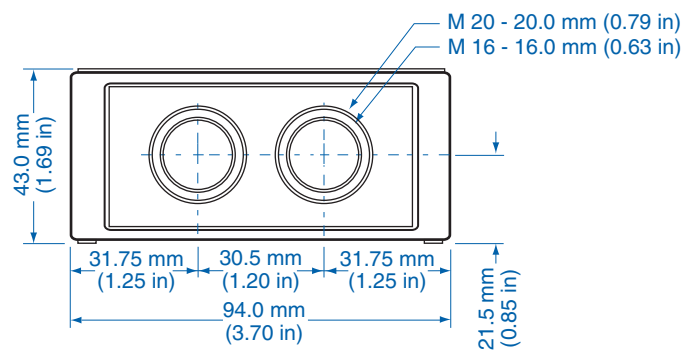
Please refer to pages 149-152 for additional accessories and detailed information.

Dimensions



Knockout Positions

Side A



Side B

