






## Standard Features







- **Protection Level:** IP66 (NEMA 4X)
- **Technical:** Smooth or Knockout Sidewalls  
Gray or Tinted Transparent Cover <sup>①</sup>  
Multiple Enclosure Mounting Options
- **Enclosure Material:** Polystyrene or Polycarbonate
- **Gasket Material:** Polyurethane
- **Color:** Light Gray
- **Temperature Range:** Polystyrene  
-40°C to 70°C (-40°F to 158°F)  
Polycarbonate  
-35°C to 120°C (-31°F to 248°F)
- **Accessories:** See section below



## Smooth Sidewalls

Ordering Information	Height mm (in)	Polystyrene				Polycarbonate			
		Cat. No.	Type	Cover Color	Std. Pk.	Cat. No.	Type	Cover Color	Std. Pk.
 Enclosure - low cover	90 mm (3.54 in)	110-407	PS 1818-9-o	gray	2	120-407	PC 1818-9-o	gray	2
 Enclosure - high cover	111 mm (4.37 in)	110-907	PS 1818-11-o	gray	2	120-907	PC 1818-11-o	gray	2
 Enclosure - top hat cover	165 mm (6.50 in)	109-407	PS 1818-16-o	gray	1	121-407	PC 1818-16-o	gray	1
 Enclosure - low cover	90 mm (3.54 in)	111-007	PS 1818-9-to	trans.	2	130-007	PC 1818-9-to	trans.	2
 Enclosure - high cover	111 mm (4.37 in)	111-507	PS 1818-11-to	trans.	2	130-507	PC 1818-11-to	trans.	2
 Enclosure - top hat cover	165 mm (6.50 in)	112-007	PS 1818-16-to	trans.	1	131-007	PC 1818-16-to	trans.	1

## Sidewalls with PG Knockouts (metric available)

Ordering Information	Height mm (in)	Polystyrene				Polycarbonate			
		Cat. No.	Type	Cover Color	Std. Pk.	Cat. No.	Type	Cover Color	Std. Pk.
 Enclosure - low cover	90 mm (3.54 in)	115-407	PS 1818-9	gray	2	125-407	PC 1818-9	gray	2
 Enclosure - high cover	111 mm (4.37 in)	115-907	PS 1818-11	gray	2	125-907	PC 1818-11	gray	2
 Enclosure - top hat cover	165 mm (6.50 in)	114-407	PS 1818-16	gray	1	126-407	PC 1818-16	gray	1
 Enclosure - low cover	90 mm (3.54 in)	116-007	PS 1818-9-t	trans.	2	135-007	PC 1818-9-t	trans.	2
 Enclosure - high cover	111 mm (4.37 in)	116-507	PS 1818-11-t	trans.	2	135-507	PC 1818-11-t	trans.	2
 Enclosure - top hat cover	165 mm (6.50 in)	117-007	PS 1818-16-t	trans.	1	136-007	PC 1818-16-t	trans.	1

## RK Enclosures with Terminal Blocks

Ordering Information	Height	Cat. No.	Type	Cover Color	Std. Pk.
Enclosure - 21 pole/10 AWG Terminal	90 mm (3.54 in)	616-404	RK1818	gray	2
Enclosure - DIN Rail only (TS35)	90 mm (3.54 in)	616-912	RK1818	gray	2

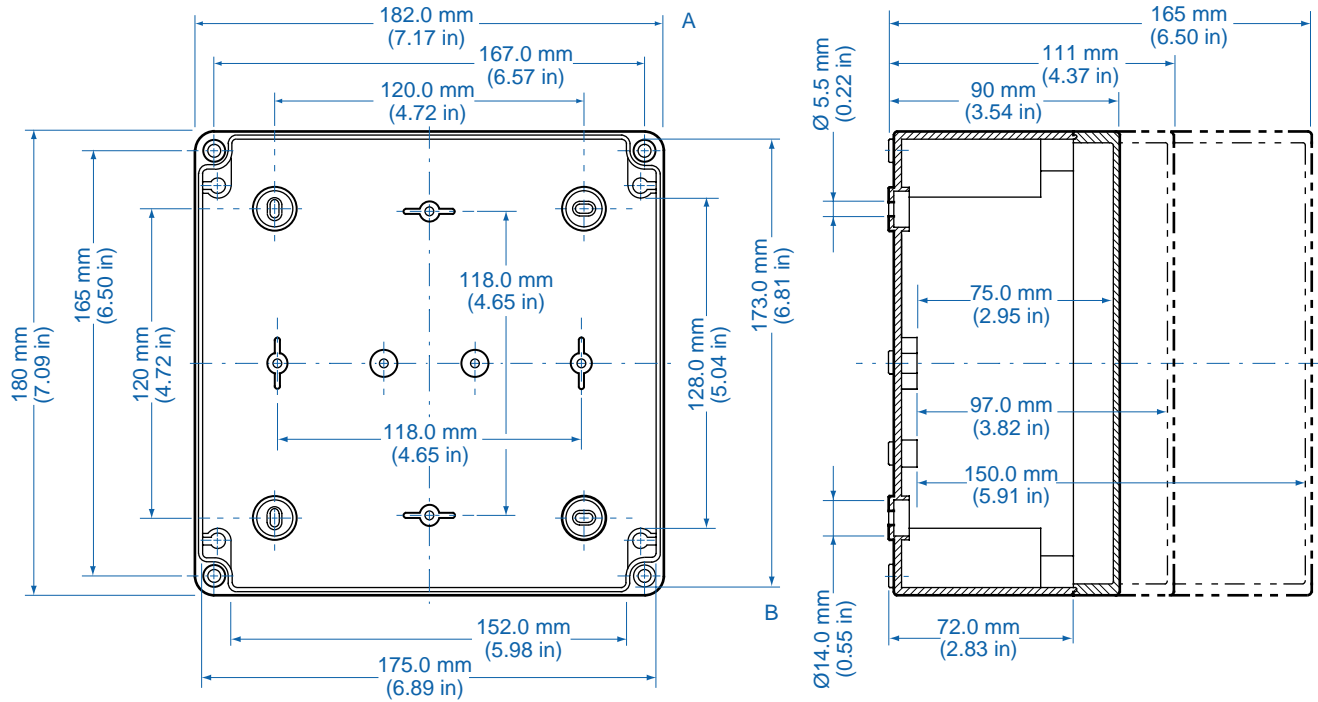
## Accessories

Ordering Information	Cat. No.	Type	Std. Pk.
Mounting Plate	195-007	MP1818	1
DIN Rail TS35-144mm	Z-655	TS 35/144	1
Hinge Kit Set	190-005	HK2	1
Mounting Tab Kit	194-001	MT1	1

Please refer to pages 106-113 for additional accessories and detailed information.

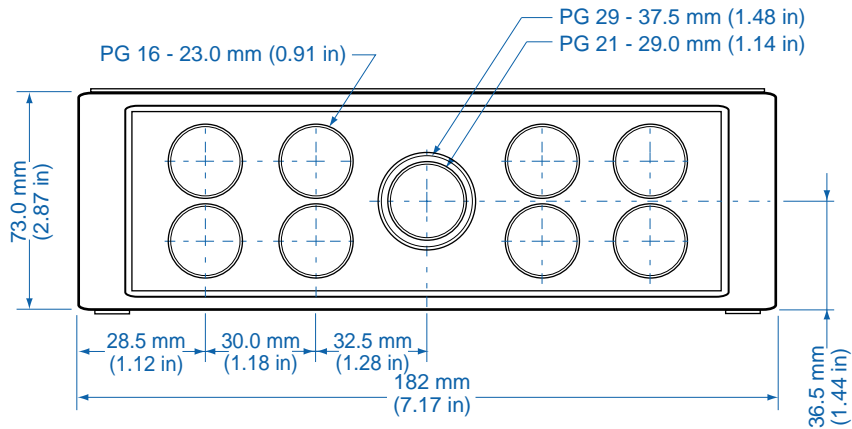
<sup>①</sup> Clear transparent lids available upon request

Dimensions

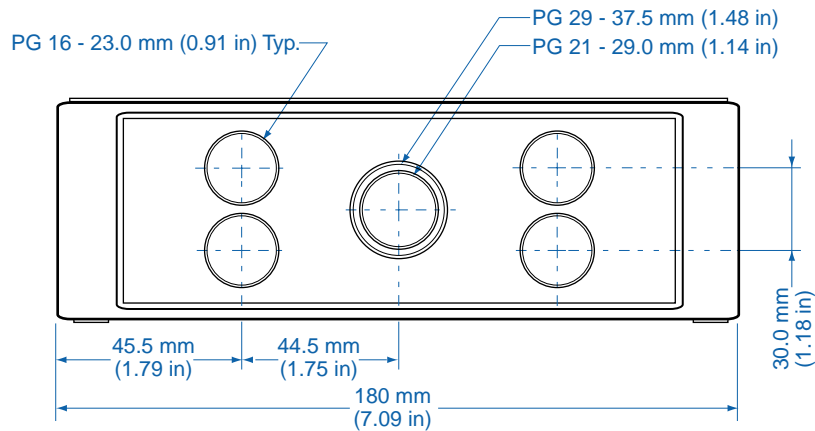


Knockout Positions <sup>®</sup>

Side A



Side B



<sup>®</sup> Metric knockouts available upon request