

Product Data Sheet



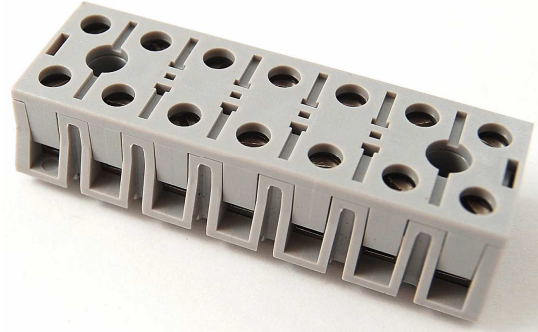
0987 RZ TC XX

Replace XX with 02 thru 12 for number of poles

0987 Series

Deadfront Type

50 Amps, 600 Volts AC/DC



(7 Pole shown)

Wire Range:

#8 - #24 AWG Copper Wire Only

.475" Centerline spacing

[See tables below for wire sizes.](#)

Electrical Ratings:

- 50A (Based on NEC Table 310-16, 75°C columns)
- 600 Volts AC/DC (UL 1059 Class C, User Group - General Industrial)
- Short Circuit Current Rated for 10,000 Amps.
- Factory and Field Wiring

Mechanical Ratings:

- Maximum insulator base temperature: 125°C (257°F) UL RTI
- Storage and transportation temperature range: -35°C to 110°C (-31°F to 230°F)
- Flammability rating of insulator base: UL 94 V-0
- Protection rating: IP-20 (IEC standard 60529)
 - Use outside these ratings needs to be judged in the end-use application.

Materials:

- Connector: Copper Alloy, Nickel plated
- Insulator base: Glass-filled Polycarbonate (Thermoplastic)
- Terminal set screws: Steel, nickel plated

Agency Approvals:

- UL Recognized, UL 1059 Terminal Block Standard, File No. XCFR2.E47811
- CSA Certified, CSA C22.2 No. 158, File No. LR19766
- CE compliant to IEC 60947-7-1

- RoHS Compliant

Wire Approvals:

Wire Size	Torque	Copper Wire Stranding Classes - Number of Strands		
		Solid	Class B	Class C
8	12 in. lbs	1	7	19
10	12 in. lbs	1	7	19
12	12 in. lbs	1	(1 - 2)* 7	(1 - 2)* 19
14	12 in. lbs	1	(1 - 2)* 7	(1 - 2)* 19
16	12 in. lbs	1	7	19
18	12 in. lbs	1	7	19
20	12 in. lbs	1	7	19
22	12 in. lbs	1	7	19
24	12 in. lbs	1	7	19

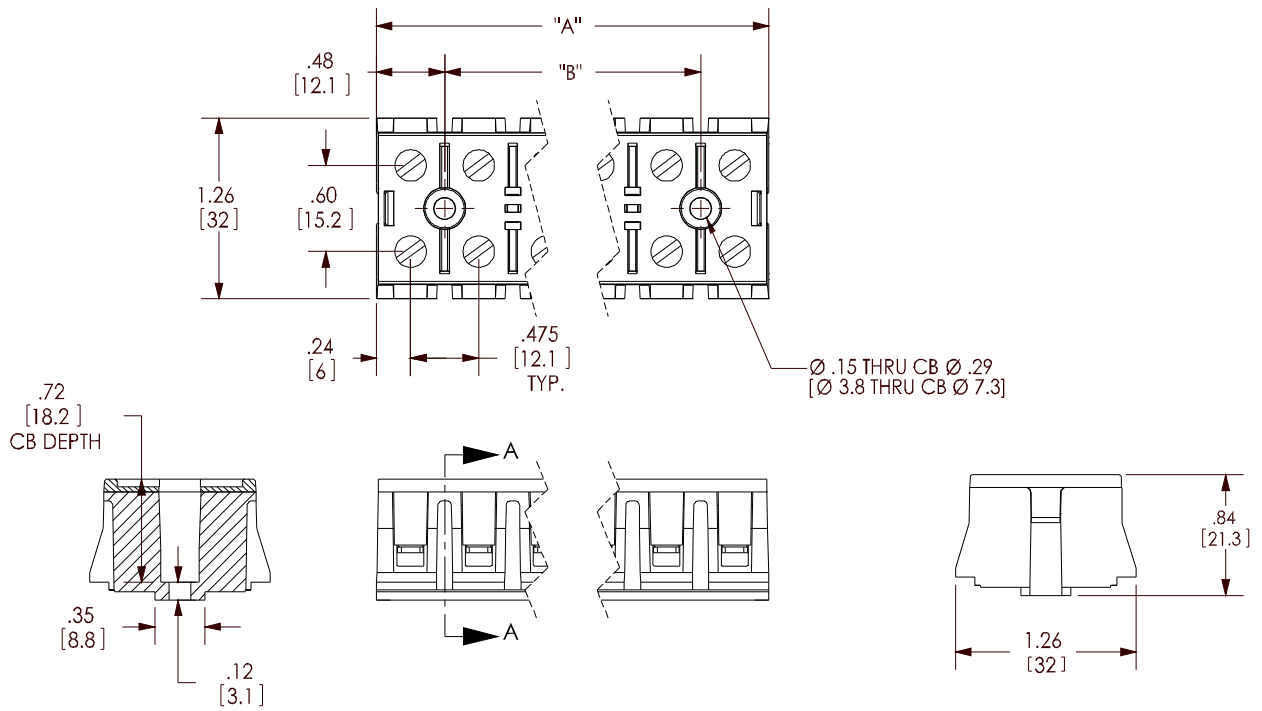
*Multiple conductors can be used for these sizes. NOTE: When using multiple conductors, the torque must be increased to 20 in.lbs.

* May also combine (1) #12 AWG wire with (1) #14 AWG wire

- Wire strip length – 7/16"
- Panel mountable: #6 fastener, torque to 10-15 in. lbs.

Accessories:

- Printing Available:



Dimensions

		A	B
0987 RZ TC 02	2	0.95	N/A
0987 RZ TC 03	3	1.43	0.48
0987 RZ TC 04	4	1.90	0.95
0987 RZ TC 05	5	2.38	1.43
0987 RZ TC 06	6	2.85	1.90
0987 RZ TC 07	7	3.33	2.38
0987 RZ TC 08	8	3.80	2.85
0987 RZ TC 09	9	4.28	3.33
0987 RZ TC 10	10	4.75	3.80
0987 RZ TC 11	11	5.23	4.28
0987 RZ TC 12	12	5.70	4.75

WWW.MARATHONSP.COM
1-419-352-8441

PDS 0276 REV A 4/02/08