

Polycarbonate Enclosed Motor Disconnect Switch


- Can be used locally at the motor
- UL Type 4X
- IEC IP65 Protection Level
- UV resistant
- Resistant to many chemicals
- Lockable - Defeatable Handle



NEW



NEW

 All Models are lockable with up to 3 padlocks.

Catalog Number

| | | | | | |
|-------------------------|-----------------------------|-----------------------------|-----------------------------|-----------------------------|------------------------------|
| Black Handle | KEM316UL | KEM325UL | KEM340UL | KEM360UL | KEM380CUL |
| Yellow/Red Handle | KEM316UL Y/R | KEM325UL Y/R | KEM340UL Y/R | KEM360UL Y/R | KEM380CUL Y/R |
| No. of Poles | 3 (4 pole - KEM416UL (Y/R)) | 3 (4 pole - KEM425UL (Y/R)) | 3 (4 pole - KEM440UL (Y/R)) | 3 (4 pole - KEM460UL (Y/R)) | 3 (4 pole - KEM480CUL (Y/R)) |
| General Purpose Current | 16 A | 25 A | 40 A | 60 A | 80 A |
| Maximum Voltage | 600V AC | 600V AC | 600V AC | 600V AC | 600V AC |
| Motor FLA @ 480V AC | 14 A | 21 A | 27A | 34A | 40 A |
| Motor FLA @ 600V AC | 9A | 11A | 17A | 27A | 32A |

| Horsepower Rating/HP | 1 Phase | | 3 Phase | | 1 Phase | | 3 Phase | | 1 Phase | | 3 Phase | |
|----------------------|-------------|-----|---------|-----|---------|-----|---------|----|---------|----|---------|----|
| | 110-120V AC | 1 | 2 | 1.5 | 3 | 2 | 3 | 3 | 5 | 5 | 7.5 | 10 |
| 200V AC | 1.5 | 3 | 2 | 5 | 3 | 7.5 | 5 | 10 | 7.5 | 10 | 15 | 20 |
| 208V AC | 1.5 | 3 | 2 | 5 | 3 | 7.5 | 5 | 10 | 7.5 | 10 | 15 | 20 |
| 220-240V AC | 2 | 3 | 3 | 5 | 5 | 7.5 | 7.5 | 10 | 10 | 15 | 20 | 25 |
| 265V AC | - | 5 | - | 7.5 | - | 10 | - | 10 | - | 15 | 20 | 25 |
| 277V AC | - | 5 | - | 7.5 | - | 10 | - | 10 | - | 15 | 20 | 25 |
| 380-415V AC | - | 7.5 | - | 10 | - | 15 | - | 20 | - | 25 | 30 | 35 |
| 440-480V AC | - | 10 | - | 15 | - | 20 | - | 25 | - | 30 | 35 | 40 |
| 550-600V AC | - | 7.5 | - | 10 | - | 15 | - | 25 | - | 30 | 35 | 40 |

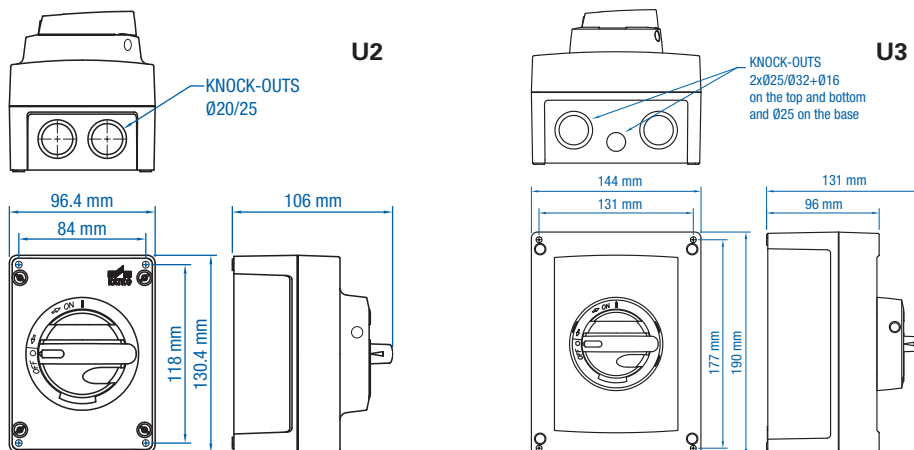
| Short Circuit Withstand Rating at 600 V with Max. Fuse Size/Class: | 10 kA | 10 kA | 10 kA | 10 kA | 10 kA |
|--|-------|-------|-------|-------|-------|
| K5 | 30 A | 30 A | 30 A | 30 A | 30 A |
| RK5 | 30 A | 30 A | 30 A | 30 A | 30 A |
| RK1 | 60 A | 60 A | 60 A | 60 A | 60 A |
| J | 80 A | 80 A | 80 A | 100 A | 100 A |

Terminal Size

| | | | | | |
|-----------------------------|---------------------|---------------------|---------------------|---------------------|---------------------|
| Acceptability | 14-8 AWG | 14-8 AWG | 14-8 AWG | 12-4 AWG | 12-4 AWG |
| (Cu Conductors only, 75 °C) | | | | | |
| Terminal Torque | 16 lb. in. (1.8 Nm) | 16 lb. in. (1.8 Nm) | 16 lb. in. (1.8 Nm) | 16 lb. in. (1.8 Nm) | 16 lb. in. (1.8 Nm) |
| Screw Head Type | No. 2 Pozidrive | No. 2 Pozidrive | No. 2 Pozidrive | No. 2 Pozidrive | No. 2 Pozidrive |
| Environmental Rating | UL Type 4X | UL Type 4X | UL Type 4X | UL Type 4X | UL Type 4X |
| Enclosure Type Used | U2 | U2 | U3 | U3 | U3 |

Dimensions

(to convert to inches multiply by 0.03937)



Enclosure Cover Screw Installation (Additional Information)

| Enclosure | Screw Type | Torque |
|-----------|------------|-----------------------|
| U2 | Pz2 | 17.7 lb. in. (2 Nm) |
| U3 | Pz2 | 17.7 lb. in. (2 Nm) |
| MF10UL | PH2/1x7 | 13.3 lb. in. (1.5 Nm) |
| MF11UL | PH2/1x7 | 13.3 lb. in. (1.5 Nm) |

| | | | | | |
|--------|--------------------|--------------------|---------------------|----------------------|----------------------|
| Weight | 0.49 kg (1.08 lb.) | 0.49 kg (1.08 lb.) | 0.72 kg (1.587 lb.) | 0.773 kg (1.698 lb.) | 0.773 kg (1.698 lb.) |
|--------|--------------------|--------------------|---------------------|----------------------|----------------------|

Suitable Accessories

| | | | | | |
|--------------------|--------------|--------------|--------------|--------------|--------------|
| Auxiliary Contacts | KU1.V, KU2.V | KU1.V, KU2.V | KU1.V, KU2.V | KU1.V, KU2.V | KU1.V, KU2.V |
|--------------------|--------------|--------------|--------------|--------------|--------------|

Polycarbonate Enclosed Motor Disconnect Switch



Altech Corp.®

FUSED

- Can be used locally at the motor
- UL Type 4X
- IEC IP65 Protection Level
- UV resistant
- Resistant to many chemicals
- Lockable - Defeatable Handle



All Models are lockable with up to 3 padlocks.

Catalog Number

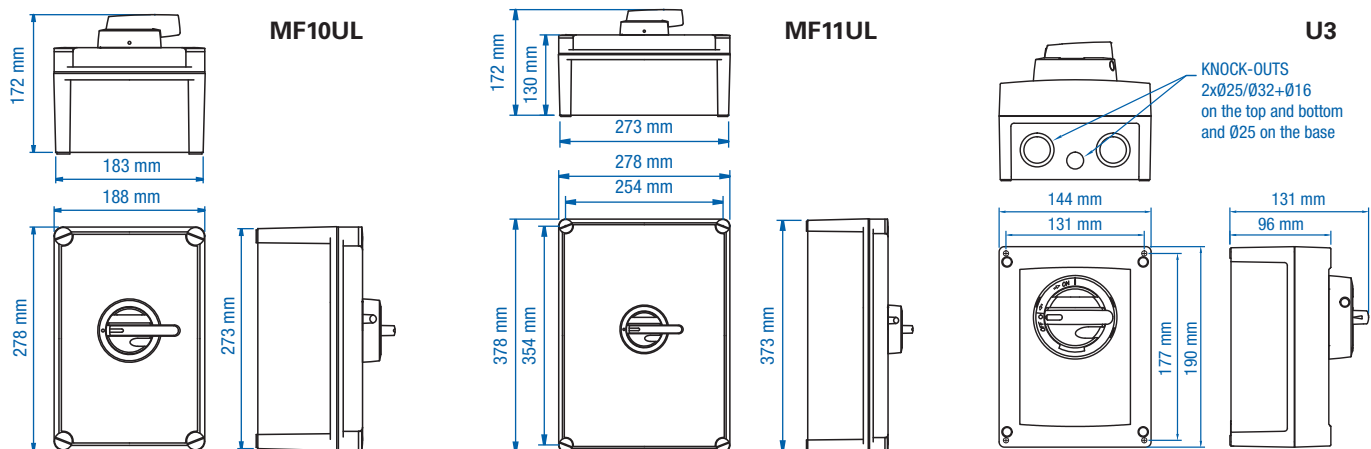
| | | | | | |
|-------------------------|-----------------------------|-----------------------------|-----------------------------|-----------------------------|----------------------------|
| Black Handle | KEM380UL | KEM3100L | KEM3125L | KEM3150L | KKVM332, KKVM332CC |
| Yellow/Red Handle | KEM380UL Y/R | KEM3100L Y/R | KEM3125L Y/R | KEM3150L Y/R | KKVM332 Y/R, KKVM332CC Y/R |
| No. of Poles | 3 (4 pole - KEM480UL (Y/R)) | 3 (4 pole - KEM4100L (Y/R)) | 3 (4 pole - KEM4125L (Y/R)) | 3 (4 pole - KEM4150L (Y/R)) | 3 |
| General Purpose Current | 80 A | 100 A | 125 A | 150 A | 30 A |
| Maximum Voltage | 600V AC | 600V AC | 600V AC | 600V AC | 600V AC |
| Motor FLA @ 480V AC | - | - | - | - | - |
| Motor FLA @ 600V AC | 47 A | 54 A | 68 A | 83 A | - |

| Horsepower Rating/HP | 1 Phase | 3 Phase | 1 Phase | 3 Phase | 1 Phase | 3 Phase | 1 Phase | 3 Phase | Cat. No. KKVM 332 (Y/R) Fuse Type: 10x38, Midget KKVM 332CC (Y/R) Fuse Type: Class CC |
|----------------------|---------|---------|---------|---------|---------|---------|---------|---------|---|
| 110-120V AC | 3 | 7.5 | 3 | 7.5 | 5 | 10 | 7.5 | 10 | |
| 200V AC | 7.5 | 10 | 7.5 | 15 | 10 | 20 | 10 | 25 | |
| 208V AC | 7.5 | 15 | 7.5 | 15 | 10 | 20 | 10 | 25 | |
| 220-240V AC | 7.5 | 15 | 10 | 20 | 15 | 25 | 15 | 30 | |
| 265V AC | 10 | 20 | 10 | 20 | 15 | 25 | 20 | 30 | |
| 277V AC | 10 | 20 | 10 | 20 | 15 | 30 | 20 | 30 | |
| 380-415V AC | 15 | 25 | 15 | 30 | 20 | 40 | 25 | 50 | |
| 440-480V AC | 20 | 30 | 20 | 40 | 30 | 50 | 30 | 60 | |
| 550-600V AC | 25 | 40 | 30 | 50 | 30 | 60 | 40 | 75 | |

| Short Circuit Withstand Rating at 600 V with Max. Fuse Size/Class: | 10 kA | 10 kA | 10 kA | 10 kA | 10 kA |
|--|-------|-------|-------|-------|-------|
| K5 | 150 A | 150 A | 150 A | 150 A | 50 A |
| RK5 | 150 A | 150 A | 150 A | 150 A | 50 A |
| RK1 | - | - | - | - | 80 A |
| J | 200 A | 200 A | 200 A | 200 A | 80 A |

| Terminal Size | 8-1/0 AWG | 8-1/0 AWG | 8-1/0 AWG | 8-1/0 AWG | 14-8 AWG |
|---|---------------------|---------------------|---------------------|---------------------|---------------------|
| Acceptability (Cu Conductors only, 75 °C) | | | | | |
| Terminal Torque | 50 lb. in. (5.6 Nm) | 50 lb. in. (5.6 Nm) | 50 lb. in. (5.6 Nm) | 50 lb. in. (5.6 Nm) | 16 lb. in. (1.8 Nm) |
| Screw Head Type | 5 mm Allen Key | 5 mm Allen Key | 5 mm Allen Key | 5 mm Allen Key | No. 2 Pozidrive |
| Environmental Rating | UL Type 4X | UL Type 4X | UL Type 4X | UL Type 4X | UL Type 4X |
| Enclosure Type Used | U3 | MF10 | MF10 | MF11UL | U3 |

Dimensions



| | | | | | |
|---------------|----------------------|---------------------|---------------------|----------------------|--------------------|
| Weight | 1.021 kg (2.249 lb.) | 1.9051 kg (4.2 lb.) | 1.9051 kg (4.2 lb.) | 2.8351 kg (6.25 lb.) | 0.998 kg (2.2 lb.) |
|---------------|----------------------|---------------------|---------------------|----------------------|--------------------|

Suitable Accessories

| | | | | | |
|---------------------------|----------------|----------------|----------------|----------------|--------------|
| Auxiliary Contacts | VKA1.V, VKA2.V | VKA1.V, VKA2.V | VKA1.V, VKA2.V | VKA1.V, VKA2.V | KU1.V, KU2.V |
|---------------------------|----------------|----------------|----------------|----------------|--------------|