

Extended Handle Accessories

AUXILIARY SWITCHES

The auxiliary switches are the snap-on type and can be retrofitted. Makes later and breaks earlier than the main contacts.



Cat. No.	KU1.V	KU2.V	VKA1.V	VKA2.V
Electrical Rating	16 A/1/2HP/125-250V AC	16 A/1/2HP/125-250V AC	16 A/1/2HP/125-250V AC	16 A/1/2HP/125-250V AC
No. of contacts	1n.o./1n.c.	2n.o./2n.c.	1n.o./1n.c.	2n.o./2n.c.
For Use With	KU models	KU models	VKA models	VKA models

FUSE HOLDER

This fuseholder can be retrofitted with the KU340N. Therefore design changes can be incorporated with ease to allow a fusible disconnect.

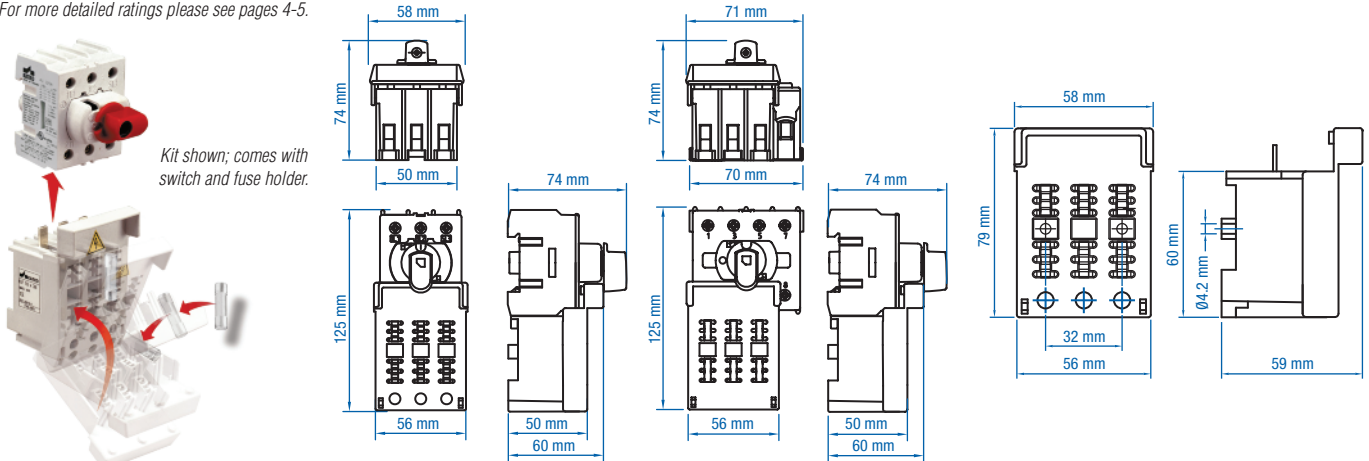


Kit shown; comes with KU340N and fuse holder.



Cat. No.	KKV 332	KKV 332CC	KV 10x38	KV 10x38 CC
Electrical Rating*	30 A/600V AC	30 A/600V AC	30 A/600V AC	30 A/600V AC
Fuse Type	10x38, Midget	Class CC	10x38, Midget	Class CC
For Use With	-	-	KU340N	KU340N
Kit Includes	KV 10x38 / KU340N	KV 10x38 CC / KU340N	-	-

*For more detailed ratings please see pages 4-5.



Kit shown; comes with switch and fuse holder.

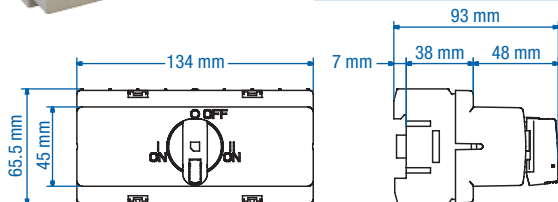
CHANGE-OVER KITS

- For 2 KU switches
- Available with black or yellow/red handle (Y/R)

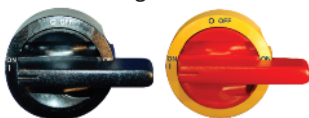


Cat. No. KU3/4P VV
Color Black

Cat. No. KU3/4P VV Y/R
Color Yellow/Red



Matching Handle

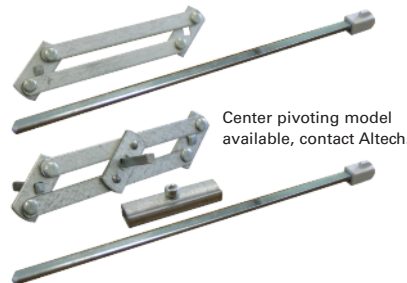


Cat. No. LK11 1-0-2 U
Color Black

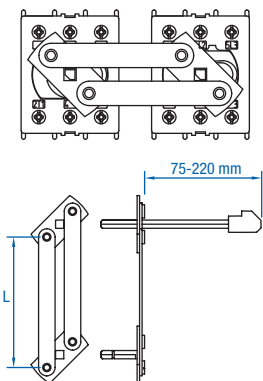
Cat. No. LK11 1-0-2 Y/R U
Color Yellow/Red

PARALLEL KITS

- For KU and VKA-switches
- Assembly depth for KU 155-300 mm
- Assembly depth for VKA 164-310 mm
- Includes 200 mm steel shaft



Center pivoting model available, contact Altech.



Cat. No.	Length (L)	For use with
RV 66S-ST	66 mm	2x KU 3 pole (3P)
RV 80S-ST	80 mm	2x KU 4P/VKA 3P
RV 104S-ST	104 mm	2x VKA 4P

Dimensions (to convert to inches multiply by 0.03937)