

Power Block Covers

Specifications:

140/141/142/143/144/145 Series (Figures 1 & 2)

- Material UL recognized, QMFZ2, 125°C, .06 clear protective plastic
- Thread cutting screws furnished per cover
- RoHS compliant

132/133 Series (Figure 3)

- Snap on, hinge cover, black thermoplastic
- UL recognized, QMFZ2, 125°C
- RoHS compliant

135 Series (Figure 4)

- Snap on, hinge cover, black thermoplastic
- UL recognized, QMFZ2, 125°C
- RoHS compliant

Dimensions (inches):

Catalog #	A	B	Figure #
CC1402	2.75	2.50	1
CC1403	4.00		
CC1411	0.77	2.40	2
CC1412	1.42		
CC1413	2.05		
CC1414	2.68		
CC1421	1.06	2.75	1
CC1422	1.87		
CC1423	2.68		
CC1431	1.78	3.38	1
CC1432	3.31		
CC1433	4.84		
CC1411	2.12	4.00	1
CC1442	4.00		
CC1443	5.87		
CC1451	2.87	4.5	1
CC1452	5.56		
CC1453	8.28		
CH1321	0.88	2.87	3
CH1322	1.69		
CH1323	2.50		
CH1331	1.93	3.89	3
CH1332	3.61		
CH1333	5.30		
CH1351 (one pole only)	3.35	5.65	4

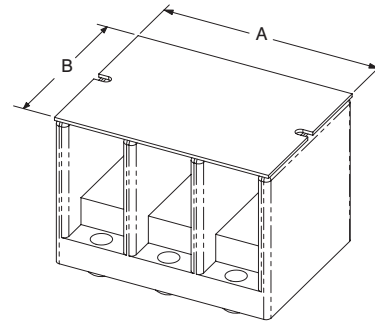


FIGURE 1

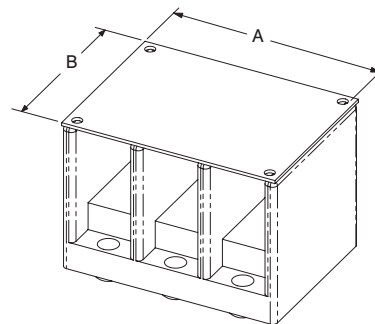


FIGURE 2

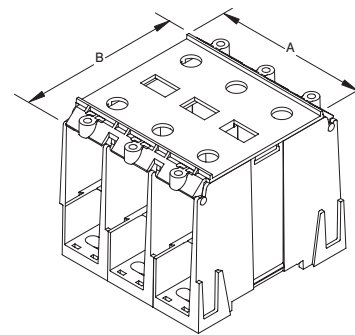


FIGURE 3
(Hinge Cover)

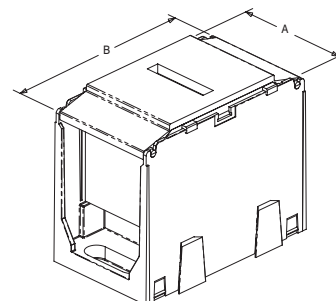


FIGURE 4
(Hinge Cover)