

Power Block Covers

Specifications:

140/141/142/143/144/145 Series (Figures 1 & 2)

- Material UL recognized, QMFZ2, 125°C, .06 clear protective plastic
- Thread cutting screws furnished per cover
- RoHS compliant

132/133 Series (Figure 3)

- Snap on, hinge cover, black thermoplastic
- UL recognized, QMFZ2, 125°C
- RoHS compliant

135 Series (Figure 4)

- Snap on, hinge cover, black thermoplastic
- UL recognized, QMFZ2, 125°C
- RoHS compliant

Dimensions (inches):

| Catalog # | A | B | Figure # |
|------------------------|------|------|----------|
| CC1402 | 2.75 | 2.50 | 1 |
| CC1403 | 4.00 | | |
| CC1411 | 0.77 | 2.40 | 2 |
| CC1412 | 1.42 | | |
| CC1413 | 2.05 | | |
| CC1414 | 2.68 | | |
| CC1421 | 1.06 | 2.75 | 1 |
| CC1422 | 1.87 | | |
| CC1423 | 2.68 | | |
| CC1431 | 1.78 | 3.38 | 1 |
| CC1432 | 3.31 | | |
| CC1433 | 4.84 | | |
| CC1411 | 2.12 | 4.00 | 1 |
| CC1442 | 4.00 | | |
| CC1443 | 5.87 | | |
| CC1451 | 2.87 | 4.5 | 1 |
| CC1452 | 5.56 | | |
| CC1453 | 8.28 | | |
| CH1321 | 0.88 | 2.87 | 3 |
| CH1322 | 1.69 | | |
| CH1323 | 2.50 | | |
| CH1331 | 1.93 | 3.89 | 3 |
| CH1332 | 3.61 | | |
| CH1333 | 5.30 | | |
| CH1351 (one pole only) | 3.35 | 5.65 | 4 |

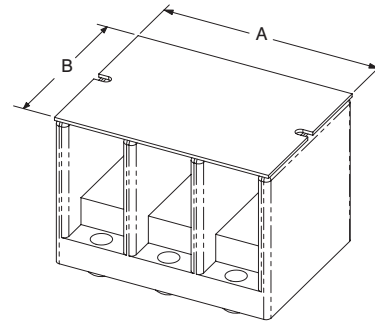


FIGURE 1

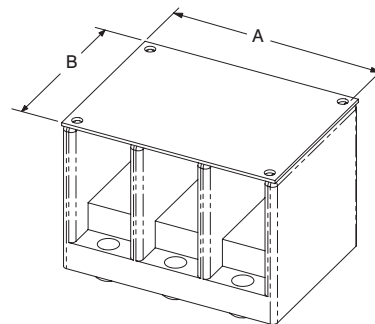


FIGURE 2

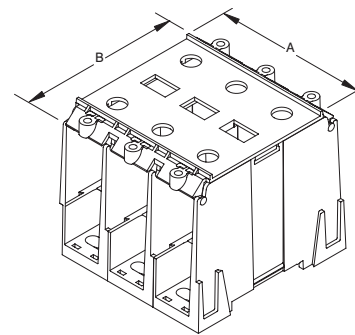


FIGURE 3
(Hinge Cover)

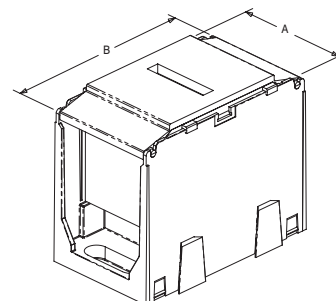


FIGURE 4
(Hinge Cover)