

Product Data Sheet



602 GP XX Std

Replace "XX" with 01 through 26 for number of poles

Terminal Block– Open Back
30 Amps, 300 Volts (AC/DC)



(6 Pole shown)

Insulator Strip Required for Voltage Rating

Copper Wire Only

Wire Range with Wire Binding Screw: #10 - #18 AWG Solid

9/16" Centers

Application torque: 16 in. lbs

Electrical Ratings:

- 30A with Listed ring lug or unprepared wire, (Based on NEC Table 310-16, 75°C columns)
- 300 Volts AC/DC (UL 1059 Class B, User Group – Commercial Appliances)
- Short Circuit Current Rating: 10,000A (Default)
- Approved for Factory and Field Wiring.

Mechanical Ratings:

- Insulator base temperature: -40°C to 150°C (302°F)* UL RTI
- Flammability rating of insulator base: UL 94V-1
- * Use outside these ratings needs to be judged in the end-use application.

Materials:

- Connector (Eyelet): Brass, nickel plated.
- Insulator base: General Phenolic
- Screw, #8-32 Binder head, Phil-Slot: Steel, nickel plated

Agency Approvals:

- UL Recognized, UL 1059 Terminal Block Standard, File No. XCFR2.E47811
- CSA Certified, CSA C22.2 No. 158, File No. LR19766
- CE compliant, IEC 60947-7-1
- RoHS Compliant

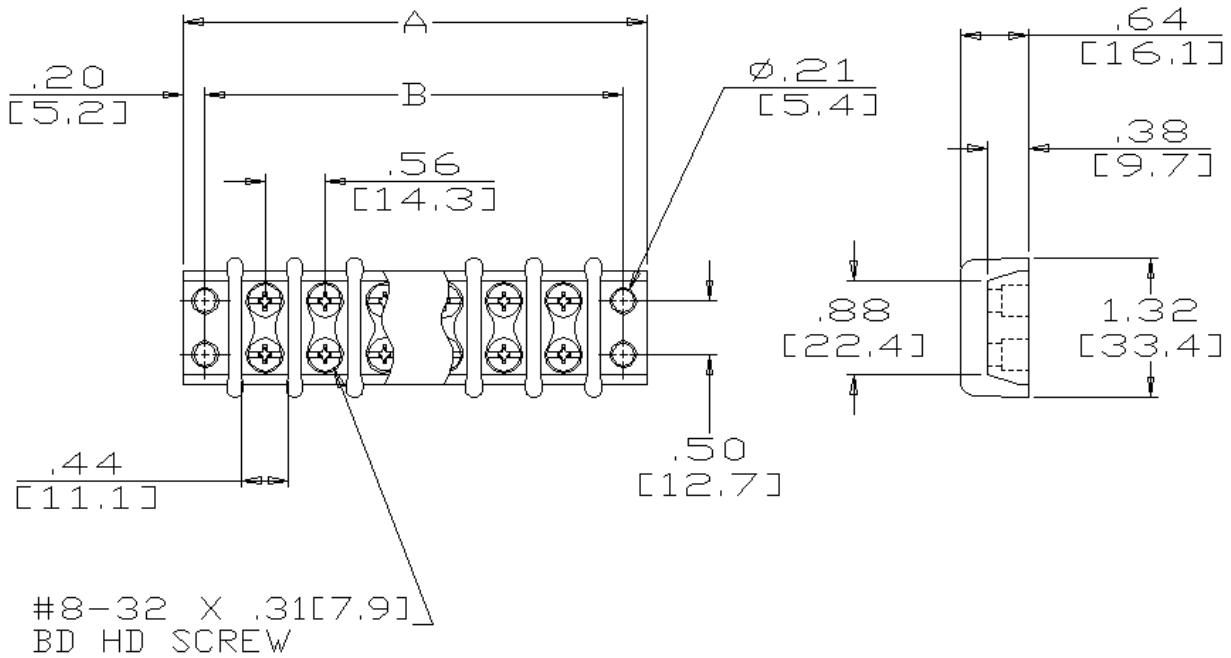
Wire Range:

Wire Size	Torque	Copper Wire Stranding Classes - Number of Conductors		
		Solid	Class B	Class C
10	16 in. Lbs	1		
12	16 in. Lbs	1		
14	16 in. Lbs	1		
16	16 in. Lbs	1		
18	16 in. Lbs	1		

Mounting: #8 fastener, torque to 15 - 20 in. lbs.

Accessories:

- JJ (GDI-30F) Material available. Glass-fiber filler, diallyl ortho-phthalate. UL-94 V0. Certifiable to Military Specifications MIL-M-14 and MIL-P-19833.
- Printing (for printing options, see Terminal Block Printing on website)
- Marking strips - sub mounted, black only (FB) (For Printing Options, see section on website)
- Marking strips – top mounted, white only (SW)
- Insulator strips - sub mounted, black only (BB) (Printing Unavailable). Insulator Strip will be the same width as the molding.
- Cover – top mounted. Order CW (white) or CB (Black). Can be printed. See website.
- Phil-Slot Brass Screw (PSB)



Catalog No	# of Poles	Dimensions		X	Catalog No	# of Poles	Dimensions	
		A	B				A	B
602 GP 01	1	1.54	1.13	X	602 GP 14	14	8.85	8.44
602 GP 02	2	2.10	1.69	X	602 GP 15	15	9.41	9.00
602 GP 03	3	2.66	2.25	X	602 GP 16	16	9.97	9.56
602 GP 04	4	3.22	2.81	X	602 GP 17	17	10.54	10.13
602 GP 05	5	3.78	3.38	X	602 GP 18	18	11.10	10.69
602 GP 06	6	4.35	3.94	X	602 GP 19	19	11.66	11.25
602 GP 07	7	4.91	4.50	X	602 GP 20	20	12.23	11.82
602 GP 08	8	5.47	5.06	X	602 GP 21	21	12.79	12.38
602 GP 09	9	6.04	5.63	X	602 GP 22	22	13.35	12.94
602 GP 10	10	6.60	6.19	X	602 GP 23	23	13.92	13.51
602 GP 11	11	7.16	6.75	X	602 GP 24	24	14.48	14.07
602 GP 12	12	7.72	7.31	X	602 GP 25	25	15.04	14.63
602 GP 13	13	8.29	7.88	X	602 GP 26	26	15.60	15.19

Top Mounted Hardware is .250" Wide

MM = Dim X 25.4

WWW.MARATHONSP.COM
1-419-352-8441