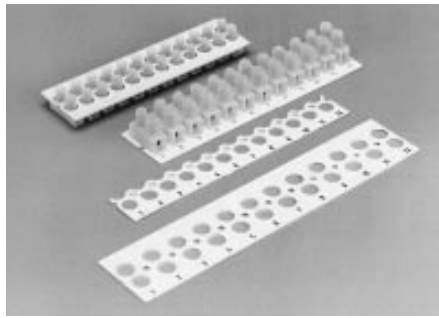


AH MOUNTING PINS

Type	Cat. No.	Panel Thickness mm (in.)	Use With Types
AH46	41.420	0.8 - 1.7 (.031-.067)	TSF2.5 TSF6
AH16	41.421	1.0 - 2.1 (.039 - .083)	TSF16

Std. Pk.: 50



MP MARKING PLATES

Type	Cat. No.	Description*	Use With Types
MPB2.5	41.200	Blank	TS2.5, TSF2.5
MPB6	41.400	Blank	TS6, TSF6
MPB10	41.600	Blank	TSF16
MPI2.5	41.201	Consecutive Nos. 1 - 12	TS2.5, TSF2.5
MPI6	41.401	Consecutive Nos. 1 - 12	TS6, TSF6
MPI10	41.601	Consecutive Nos. 1 - 12	TSF16
MPI2.5	41.202	Consecutive Nos. 13 - 24	TS2.5, TSF2.5
MPI6	41.402	Consecutive Nos. 13 - 24	TS6, TSF6
MPI10	41.602	Consecutive Nos. 13 - 24	TSF16

Std. Pk.: 25



Ledge Location



Turret Location

IMPRINTING

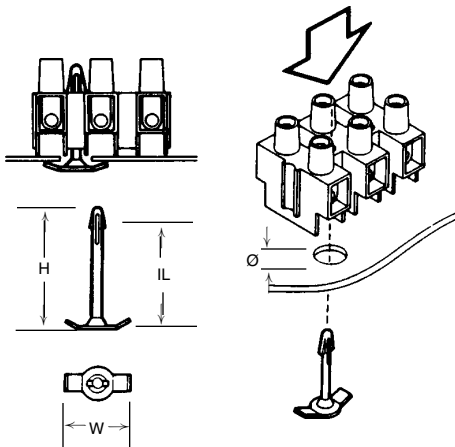
Type	Cat. No.
------	----------

The following are listed as examples:

TS1.5/12wp-i(1-12)T **40.012i(1-12)T**
Marking Instruction: Consecutive, imprint 1 through 12, Turret Location

TS2.5/12wp-i(1)L **40.212i(1)L**
Marking Instruction: Identical, imprint 1, Ledge Location

Std. Pk.: 1000



Dimensions mm (in.)				
Mounting Pin Type	Pin Height (H)	Insertion* Length (IL)	Panel Hole Dia.	Width (W)
AH46	21.5 (.85)	14.5 (.57)	4.5 (.18)	13.0 (.51)
AH16	24.5 (.96)	19.0 (.75)	5.5 (.22)	13.0 (.51)

*Eurostrip® housing thickness and panel thickness.

* Custom Imprints available, please consult Altech