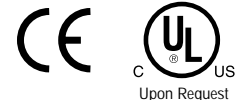



### Standard Features



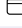

- **Protection Level:** IP66 (NEMA 4X)
- **Technical:** Smooth or Knockout Sidewalls  
Gray or Tinted Transparent Cover <sup>①</sup>  
Multiple Enclosure Mounting Options
- **Enclosure Material:** Polystyrene or Polycarbonate
- **Gasket Material:** Polyurethane
- **Color:** Light Gray
- **Temperature Range:** Polystyrene  
-40°C to 70°C (-40°F to 158°F)  
Polycarbonate  
-35°C to 120°C (-31°F to 248°F)
- **Accessories:** See section below



### Smooth Sidewalls

Ordering Information	Height mm (in)	Polystyrene					Polycarbonate				
		Cat. No.	Type	Cover Color	Std. Pk.	Cat. No.	Type	Cover Color	Std. Pk.		
 Enclosure - low cover	57 mm (2.24 in)	110-402	PS 97-6-o	gray	5	120-402	PC 97-6-o	gray	5		
 Enclosure - high cover	81 mm (3.19 in)	110-902	PS 97-8-o	gray	5	120-902	PC 97-8-o	gray	5		
 Enclosure - low cover	57 mm (2.24 in)	111-002	PS 97-6-to	trans.	5	130-002	PC 97-6-to	trans.	5		
 Enclosure - high cover	81 mm (3.19 in)	111-502	PS 97-8-to	trans.	5	130-502	PC 97-8-to	trans.	5		

### Sidewalls with PG Knockouts (metric available)

Ordering Information	Height mm (in)	Polystyrene					Polycarbonate				
		Cat. No.	Type	Cover Color	Std. Pk.	Cat. No.	Type	Cover Color	Std. Pk.		
 Enclosure - low cover	57 mm (2.24 in)	115-402	PS 97-6	gray	5	125-402	PC 97-6	gray	5		
 Enclosure - high cover	81 mm (3.19 in)	115-902	PS 97-8	gray	5	125-902	PC 97-8	gray	5		
 Enclosure - low cover	57 mm (2.24 in)	116-002	PS 97-6-t	trans.	5	135-002	PC 97-6-t	trans.	5		
 Enclosure - high cover	81 mm (3.19 in)	116-502	PS 97-8-t	trans.	5	135-502	PC 97-8-t	trans.	5		

### RK Enclosures with Terminal Blocks

Ordering Information	Height	Cat. No.	Type	Cover Color	Std. Pk.
Enclosure - 5 pole/12 AWG Terminal	57 mm (2.24 in)	605-404	RK97	gray	5
Enclosure - DIN Rail only (TS15)	57 mm (2.24 in)	605-904	RK97	gray	5

### Accessories

Ordering Information	Cat. No.	Type	Std. Pk.
Mounting Plate	195-002	MP97	1
DIN Rail TS15-80mm	Z-630	TS 15/80	1
Hinge Kit Set	190-002	HK1	1
Mounting Tab Kit	194-001	MT1	1

Please refer to pages 106-113 for additional accessories and detailed information.

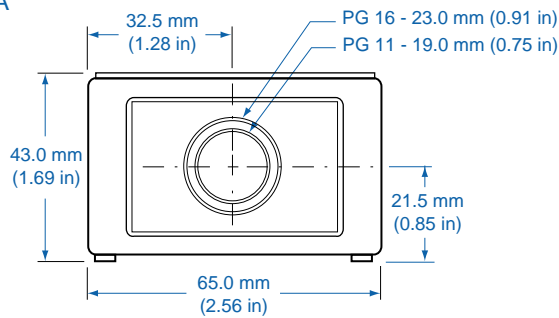
<sup>①</sup> Clear transparent lids available upon request

Dimensions

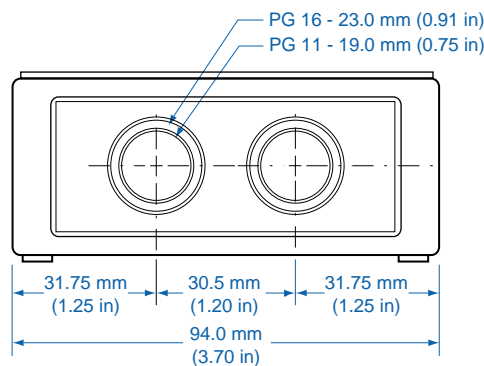


Knockout Positions <sup>®</sup>

Side A



Side B



<sup>®</sup> Metric knockouts available upon request